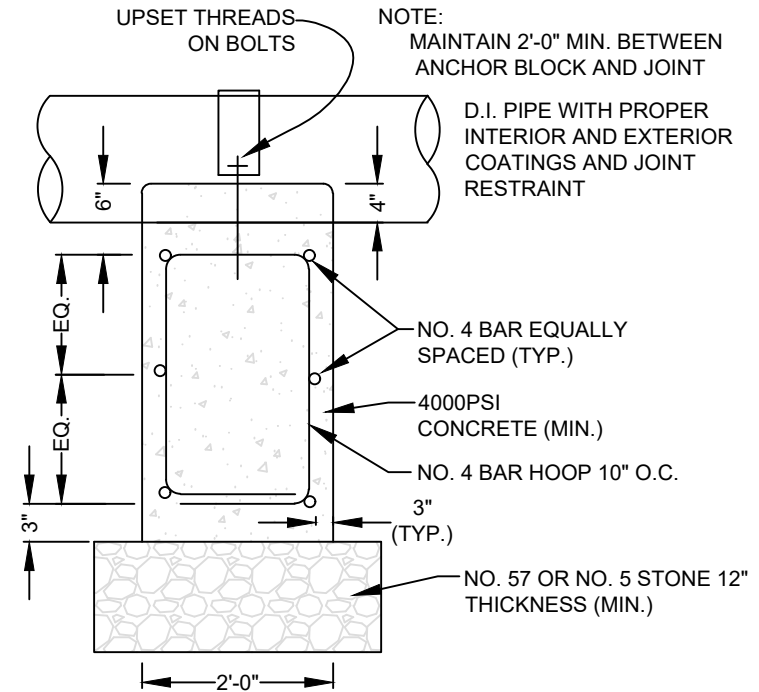
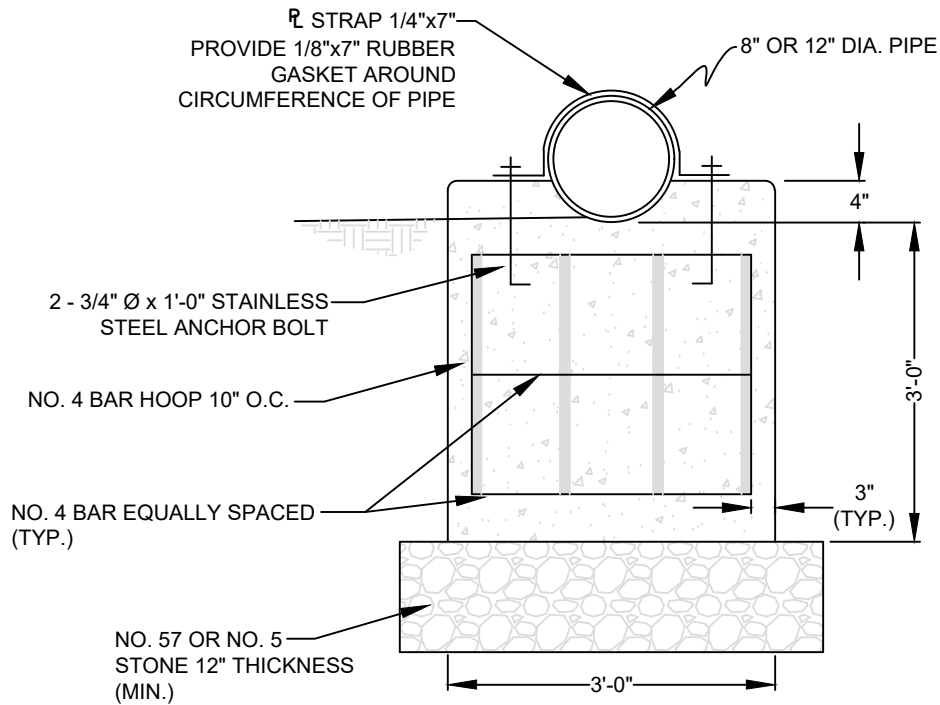


NOTES:

1. IF USED IN CONJUNCTION WITH AN AERIAL CROSSING, PIPE SHALL BE IN ACCORDANCE WITH DETAIL M.13. AT ALL OTHER LOCATIONS, THE PIPE SHALL BE AS APPROVED BY FAYPWC.
2. LOCATIONS OF ANCHOR BLOCKS SHALL BE AS APPROVED BY FAYPWC.
3. ALL ANCHOR BLOCKS SHALL BE PRE-CAST.
4. BURY DEPTH OF ANCHOR BLOCK SHALL BE 36".
5. ALL STRAPS, BOLTS, WASHERS, ETC. SHALL BE HOT DIP GALVANIZED PER ASTM A153.

6. ALL ANCHOR BLOCK LOCATIONS SHALL BE STAKED IN THE FIELD.
7. ANCHOR BLOCKS FOR PIPES LARGER THAN 12" SHALL BE SUBMITTED TO FAYPWC FOR REVIEW AND APPROVAL.
8. AT THOSE LOCATIONS WHERE THE PIPE SUPPORT IS OVER THREE (3) FEET IN DEPTH, H-PILES SHALL BE UTILIZED IN LIEU OF AN ANCHOR BLOCK.
9. EXISTING SOIL CONDITIONS MAY WARRANT H-PILES IN LIEU OF ANCHOR BLOCK. ENGINEER TO DETERMINE IF H-PILES ARE WARRANTED.



ANCHOR BLOCK DETAIL N.T.S.			FAYETTEVILLE PUBLIC WORKS COMMISSION FAYETTEVILLE, N.C.		NO.	DATE	REVISION
SHEET NO. 1 OF 1	DWG. NO. M.14	DWG. BY: FAYPWC	WATER RESOURCES ENGINEERING DEPARTMENT				
	DATE: JAN. 01, 2025	APPROVED BY: K.A.H.					

