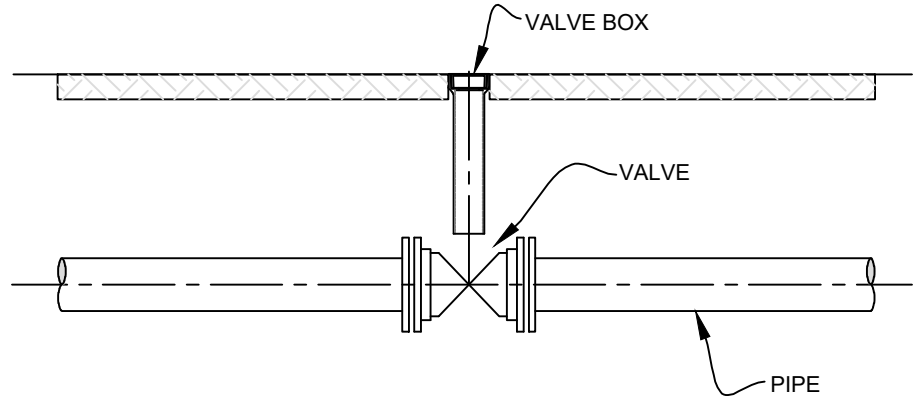


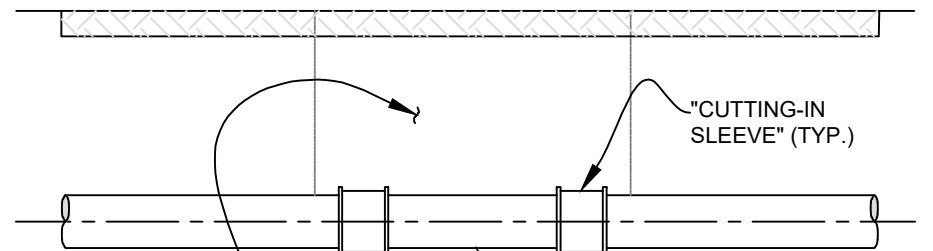
MINIMUM LENGTH OF BURIED PIPE BETWEEN  
CLOSED VALVE AND EXCAVATION FOR RESTRAINT

BASED ON MINIMUM TYPE 2 BEDDING IN SILT SOIL

Diameter (inches)	Depth of Cover (feet)	Length (feet)
16	3 - 3.99	221
16	4 - 5.99	173
16	6 - 7.99	120
16	8 - 9.99	92
16	>= 10	75
12	3 - 3.99	174
12	4 - 5.99	135
12	6 - 7.99	93
12	8 - 9.99	71
12	>= 10	57
10	3 - 3.99	149
10	4 - 5.99	115
10	6 - 7.99	79
10	8 - 9.99	60
10	>= 10	49
8	3 - 3.99	123
8	4 - 5.99	95
8	6 - 7.99	65
8	8 - 9.99	49
8	>= 10	40
6	3 - 3.99	95
6	4 - 5.99	73
6	6 - 7.99	50
6	8 - 9.99	38
6	>= 10	31



ELEVATION - EXISTING  
N.T.S.



BACKFILLED AND COMPACTED  
EXCAVATION. PAYMENT SECTION  
LIMITED AS DEFINED IN CONTRACT  
DOCUMENTS.

ELEVATION - PROPOSED  
N.T.S.

VALVE REMOVAL WITH EXCAVATION  
N.T.S.

FAYETTEVILLE  
PUBLIC WORKS COMMISSION  
FAYETTEVILLE, N.C.



NO.	DATE	REVISION

SHEET NO.  
1 OF 1

DWG. NO. **M.15**  
DATE: JAN. 01, 2025

DWG. BY: FAYPWC  
APPROVED BY: K.A.H.

WATER RESOURCES  
ENGINEERING DEPARTMENT