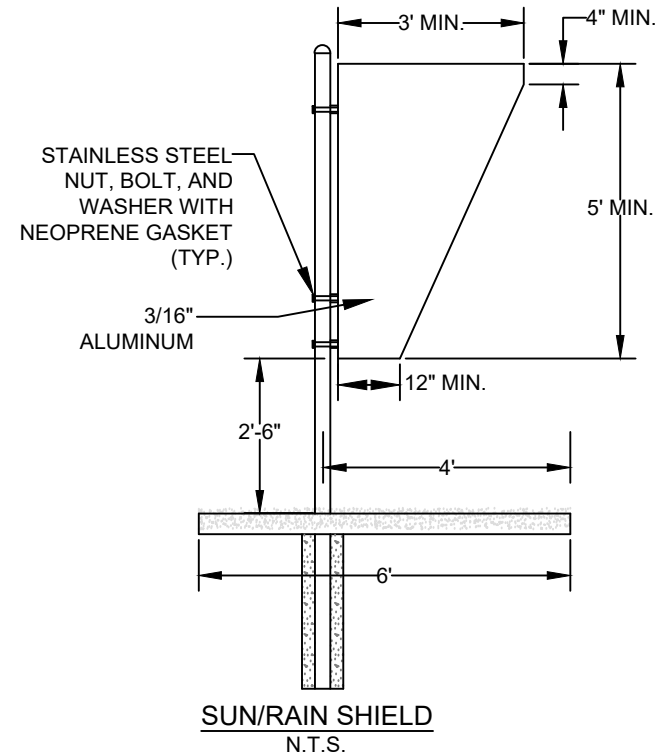
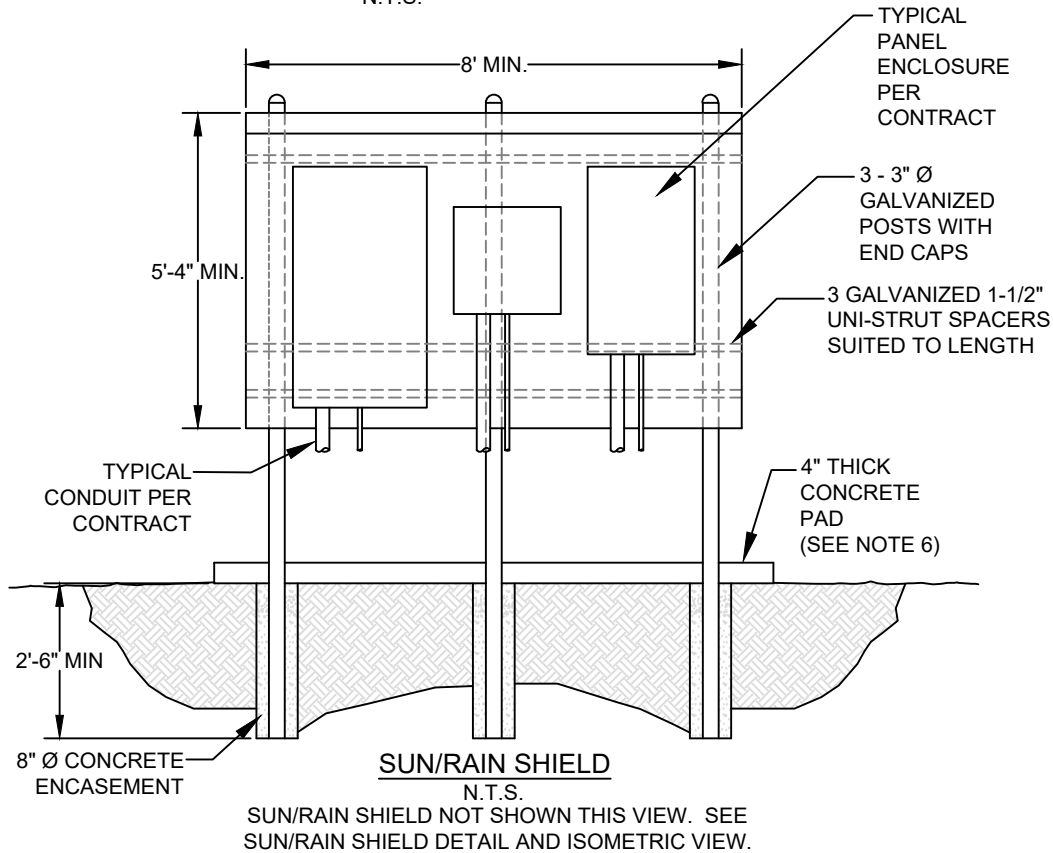


NOTES:

1. CONTRACTOR SHOULD VERIFY CONTROL PANEL SIZE BEFORE CONSTRUCTION OF SUN/RAIN SHIELD. SUN/RAIN SHIELD MAY NEED TO BE LARGER DEPENDING ON SIZE OF CONTROL PANEL.
2. WHEN SPECIFIED OR SHOWN, ALARM STROBE SHALL BE MOUNTED ON THE SUN/RAIN SHIELD. COORDINATE LOCATION WITH FAYPWC.
3. WHERE SCHEDULED OR SHOWN ON THE PLANS PROVIDE WEATHERPROOF CORROSION RESISTANT FLORESCENT FIXTURE MOUNTED UNDERNEATH SUN/RAIN SHIELD, LIGHT SWITCH, AND GFI RECEPTACLE.
4. WHERE SHOWN ON PLANS PROVIDE BACK-TO-BACK RACK EQUIPMENT MOUNTING AND SUN/RAIN SHIELD.
5. SUN/RAIN SHIELD TO BE CONSTRUCTED OF 3/16" ALUMINUM.
6. MINIMUM CONCRETE COMPRESSIVE STRENGTH AT 28 DAYS SHALL BE 4,000PSI.



ELECTRICAL EQUIPMENT RACK AND SUN/RAIN SHIELD
N.T.S.

FAYETTEVILLE PUBLIC WORKS COMMISSION
FAYETTEVILLE, N.C.



NO.	DATE	REVISION

SHEET NO.
1 OF 1

DWG. NO. **M.18**

DWG. BY: FAYPWC

WATER RESOURCES ENGINEERING DEPARTMENT

DATE: JAN. 01, 2025

APPROVED BY: K.A.H.