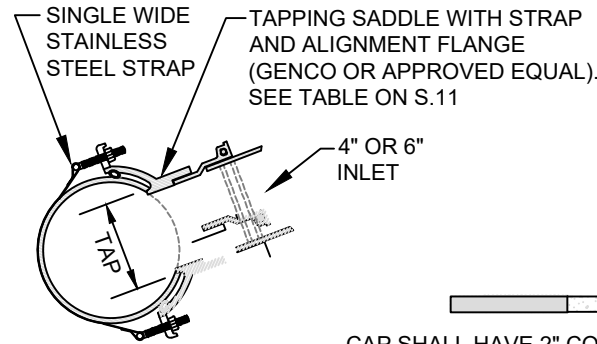


PVC SDR-26 OR DI TEE SEE NOTES 7 AND 8 ON DETAIL S.11

STANDARD TEE CONNECTION



TAPPING SADDLE (OPTIONAL)

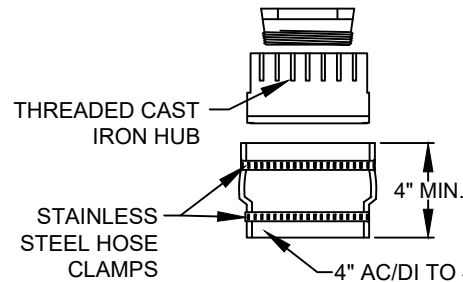
NOTE: TAP SHALL BE 4-1/2" FOR 4" LATERAL, AND SHALL BE 6-1/2" FOR 6" LATERAL.

STONE SHALL BE EXTENDED TO BED LATERAL CONNECTION FROM UNDISTURBED SOIL

THREADED SLOTTED CAST IRON PLUG

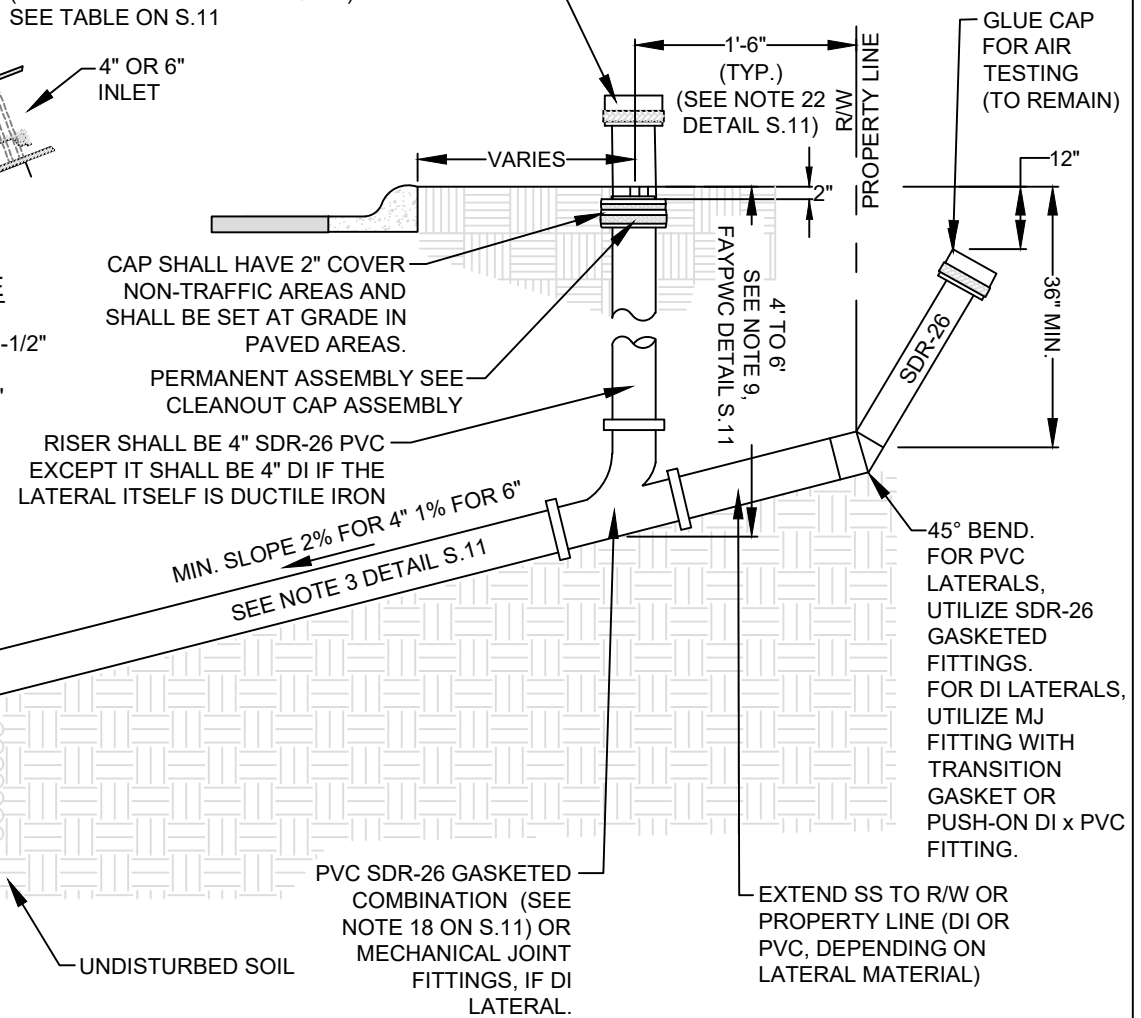


TRAFFIC CAP



CLEANOUT CAP ASSEMBLY

EXTEND STACK 18" MIN. ABOVE GRADE WITH GLUE CAP FOR TESTING. AFTER TESTS ARE ACCEPTED ADJUST STACK TO PROPER GRADE AND INSTALL PERMANENT CLEANOUT CAP ASSEMBLY.



CAP SHALL HAVE 2" COVER NON-TRAFFIC AREAS AND SHALL BE SET AT GRADE IN PAVED AREAS.

PERMANENT ASSEMBLY SEE CLEANOUT CAP ASSEMBLY

RISER SHALL BE 4" SDR-26 PVC EXCEPT IT SHALL BE 4" DI IF THE LATERAL ITSELF IS DUCTILE IRON

MIN. SLOPE 2% FOR 4" 1% FOR 6" SEE NOTE 3 DETAIL S.11

PVC SDR-26 GASKETED COMBINATION (SEE NOTE 18 ON S.11) OR MECHANICAL JOINT FITTINGS, IF DI LATERAL.

EXTEND SS TO R/W OR PROPERTY LINE (DI OR PVC, DEPENDING ON LATERAL MATERIAL)

REFER TO FAYPWC DETAIL S.12 REGARDING BENDS IN LATERAL.

FOR SEWER LATERAL NOTES SEE FAYPWC DETAIL S.11

<p>SEWER LATERAL (4-INCH AND 6-INCH) N.T.S.</p>		<p>FAYETTEVILLE PUBLIC WORKS COMMISSION FAYETTEVILLE, N.C.</p>			NO.	DATE	REVISION
					2	01/14	ADDED TAILPIECE, NOTES
3	01/15	REVISED NOTES RE: TAILPIECE					
4	07/18	REVISED NOTE RE: LATERAL DEPTH					
<p>SHEET NO. 1 OF 1</p>	<p>DWG. NO. S.10</p>	<p>DWG. BY: FAYPWC</p>	<p>APPROVED BY: K.A.H.</p>	<p>WATER RESOURCES ENGINEERING DEPARTMENT</p>			
<p>DATE: JAN. 01, 2025</p>							