
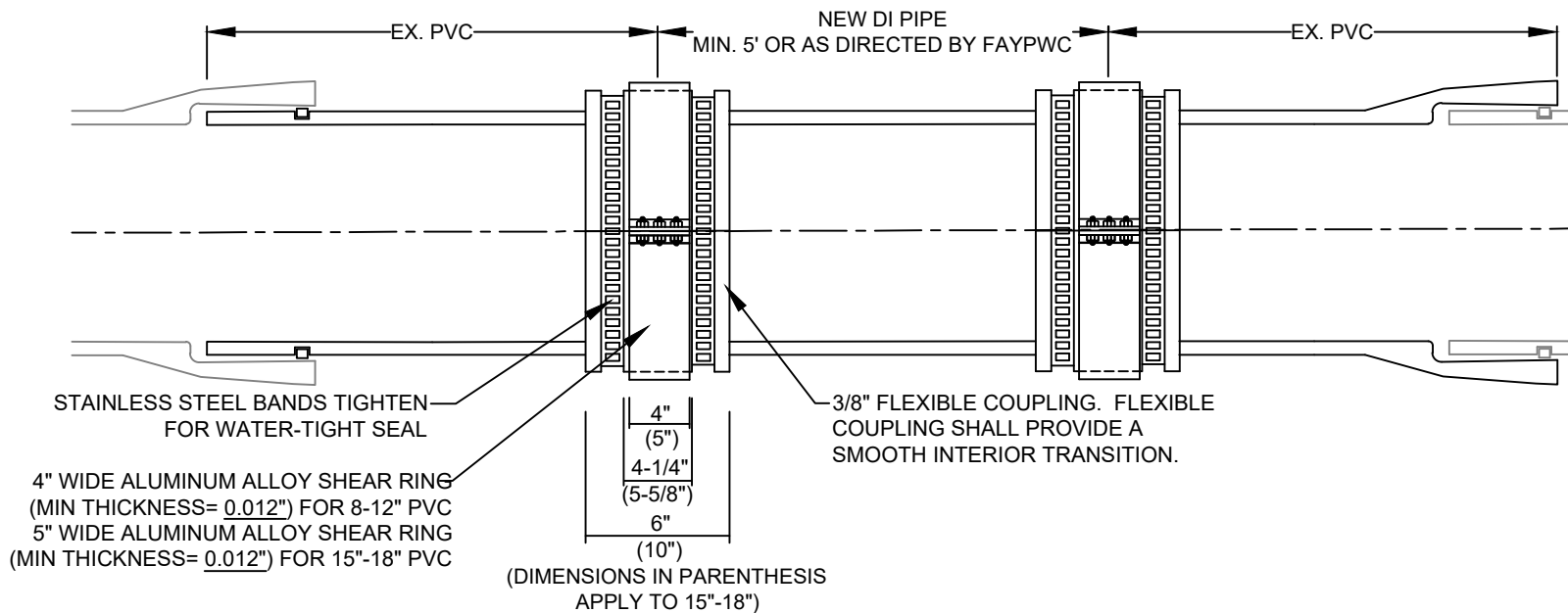
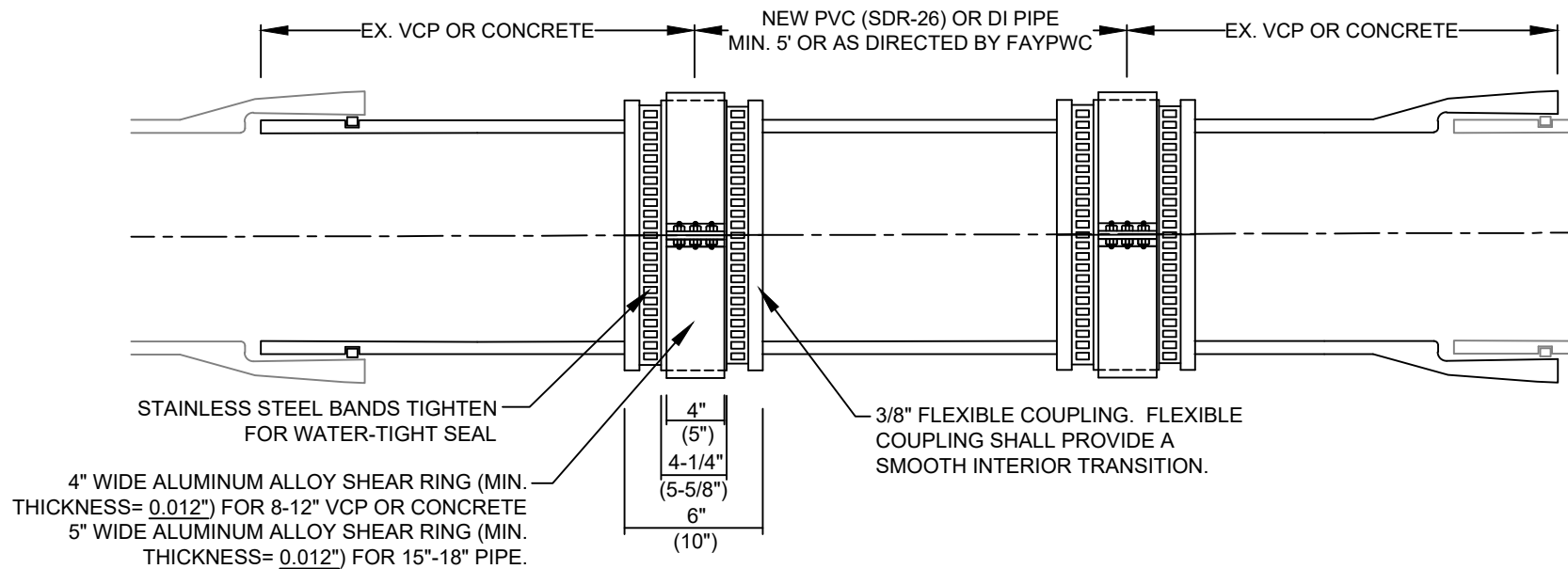


NOTES:

1. SANITARY SEWER REPAIR SHALL BE APPROVED BY FAYPWC PRIOR TO MAKING THE REPAIR. IF THE REPAIR IS WITHIN 20' OF AN EXISTING MANHOLE, THE CONTRACTOR SHALL BE REQUIRED TO REMOVE AND RELAY PIPE TO NEAREST MANHOLE, UNLESS OTHERWISE DIRECTED BY FAYPWC.
2. ALL MATERIALS OF CONSTRUCTION SHALL BE IN ACCORDANCE WITH THE STANDARDS AND SPECIFICATIONS OF THE FAYETTEVILLE PUBLIC WORKS COMMISSION.
3. CONTRACTOR SHALL PROVIDE ALL NECESSARY PUMPS, HEADER PIPE, PUMPING EQUIPMENT, ETC. PRIOR TO BEGINNING CONSTRUCTION. DUPLICATE SEWAGE HANDLING PUMPS, PIPING, ETC. SHALL BE ON-SITE AND AVAILABLE FOR IMMEDIATE USE SHOULD PRIMARY PUMP OR FORCE MAIN FAIL. INSURE PUMPS, HEADER PIPING, ETC. ARE PROPERLY SIZED AND OPERATIONAL BEFORE BEGINNING WORK.
4. PIPE REPAIR SHALL EXHIBIT STRAIGHT HORIZONTAL ALIGNMENT AND INVERT SHALL BE THE SAME AS THE EXISTING PIPE SLOPE. DEFLECTIONS OF HORIZONTAL AND VERTICAL ALIGNMENT ARE NOT ACCEPTABLE.
5. PIPE SHALL BE BACKFILLED AND COMPACTED IN ACCORDANCE WITH FAYPWC STANDARD SPECIFICATION.
6. REPLACEMENT PIPE SHALL BE PROPERLY BEDDED IN ACCORDANCE WITH FAYPWC STANDARD DETAIL S.13.
7. THERE SHALL BE NO MORE THAN 1/4" SPACE BETWEEN THE EXISTING SEWER MAIN AND THE REPLACEMENT PIPE AT EACH END.
8. DAMAGED SECTION SHALL BE CUT OUT WITHOUT DAMAGING THE PIPE TO REMAIN.
9. DI SEWER PIPE AND FITTINGS SHALL HAVE AN INTERIOR COATING OF PROTECTO 401 OR APPROVED EQUAL.
10. DI PIPE SHALL BE UTILIZED WHEN STATE MINIMUM SEPARATION REQUIREMENTS CANNOT BE MET OR AS DIRECTED BY FAYPWC.
11. PIPE REPAIRS ON MATERIALS OTHER THAN SHOWN, SHALL BE AS DIRECTED BY FAYPWC.
12. THE MINIMUM LENGTH OF REPAIR SHALL BE 5 FEET, UNLESS OTHERWISE DIRECTED BY FAYPWC.

GRAVITY SANITARY SEWER PIPE REPAIR			FAYETTEVILLE PUBLIC WORKS COMMISSION FAYETTEVILLE, N.C.			NO.	DATE	REVISION
						1	01/05	REVISED REPLACEMENT PIPE
SHEET NO. 1 OF 3		DWG. NO. S.15	DWG. BY: FAYPWC	2		07/11	REVISED NOTES	
DATE: JAN. 01, 2025		APPROVED BY: K.A.H.	WATER RESOURCES ENGINEERING DEPARTMENT					



GRAVITY SANITARY SEWER PIPE REPAIR
N.T.S.

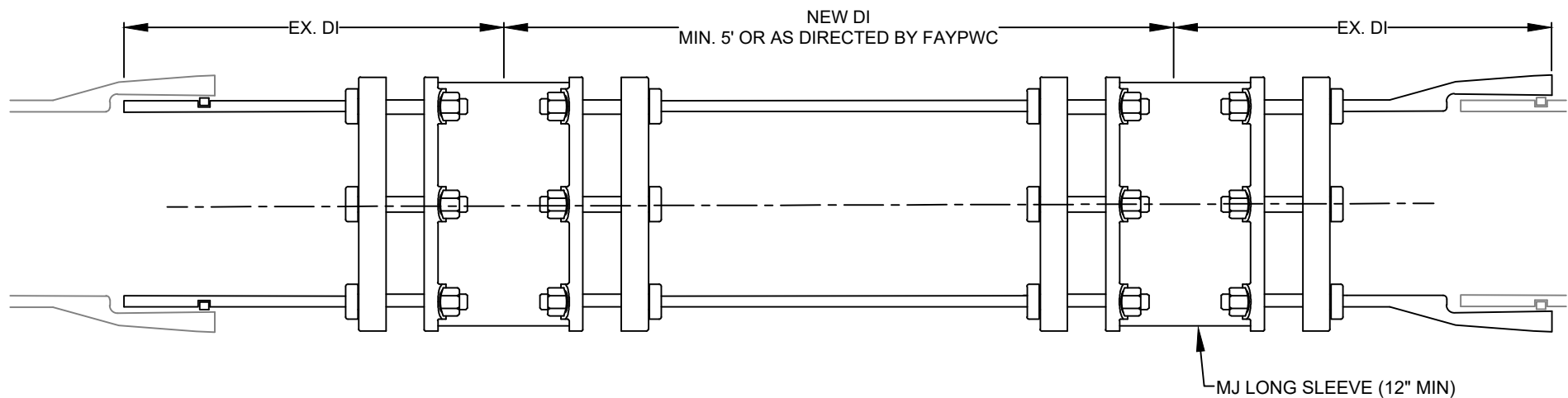
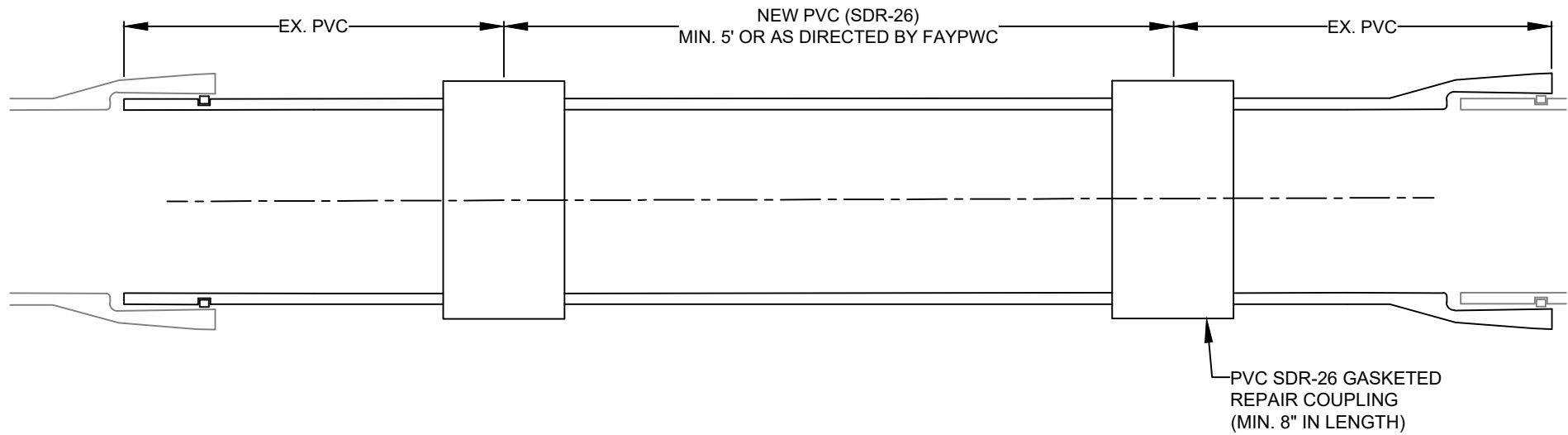
**FAYETTEVILLE
PUBLIC WORKS COMMISSION
FAYETTEVILLE, N.C.**



NO.	DATE	REVISION
1	01/05	REVISED REPLACEMENT PIPE
2	07/11	REVISED NOTES

SHEET NO. 2 OF 3	DWG. NO. S.15	DWG. BY: FAYPWC
	DATE: JAN. 01, 2025	APPROVED BY: K.A.H.

**WATER RESOURCES
ENGINEERING DEPARTMENT**



GRAVITY SANITARY SEWER PIPE REPAIR
N.T.S.

**FAYETTEVILLE
PUBLIC WORKS COMMISSION
FAYETTEVILLE, N.C.**



NO.	DATE	REVISION
1	01/05	REVISED REPLACEMENT PIPE
2	07/11	REVISED NOTES, REPAIRS

SHEET NO. 3 OF 3	DWG. NO. S.15	DWG. BY: FAYPWC
	DATE: JAN. 01, 2025	APPROVED BY: K.A.H.

**WATER RESOURCES
ENGINEERING DEPARTMENT**