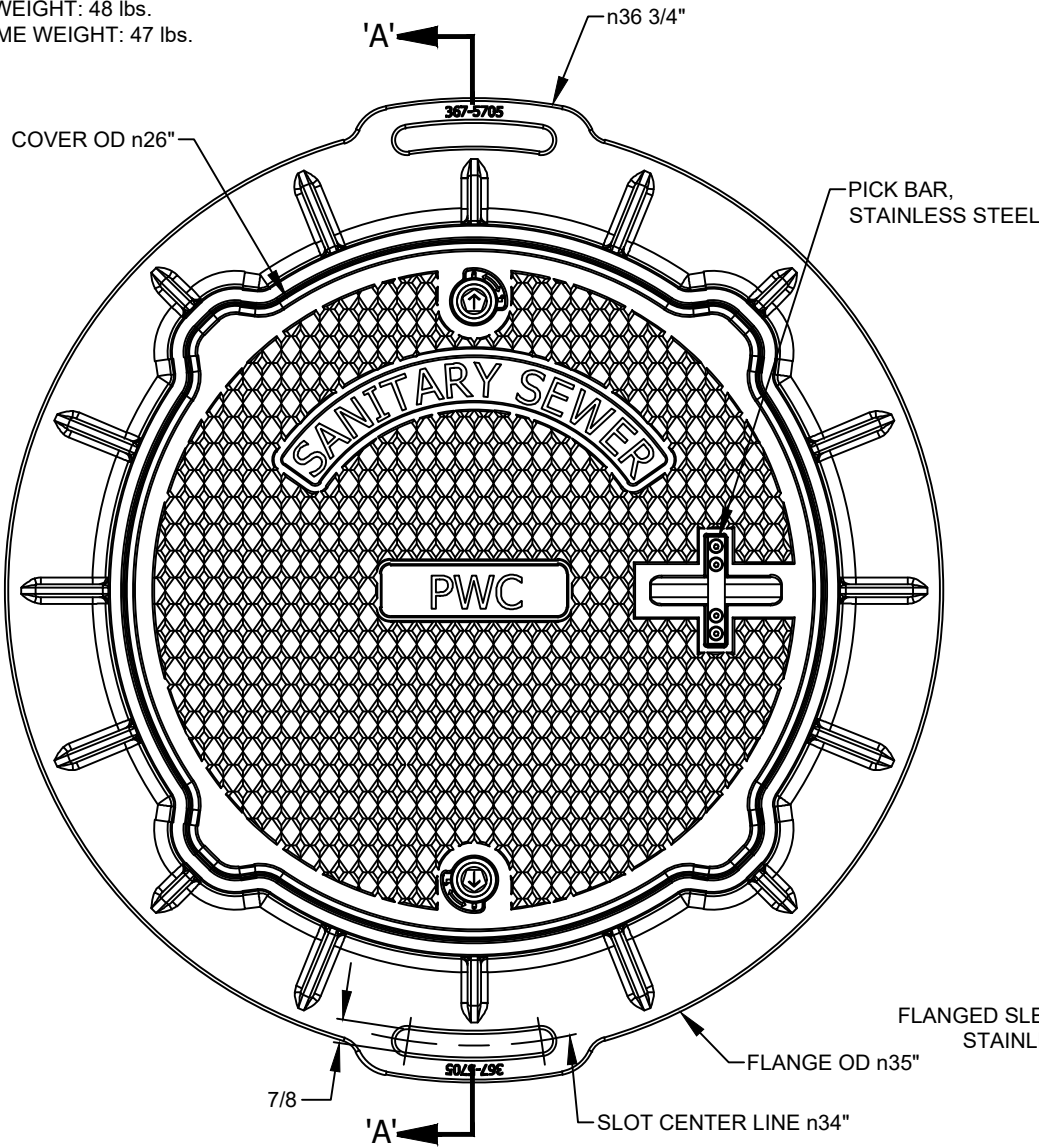


LID WEIGHT: 48 lbs.
 FRAME WEIGHT: 47 lbs.

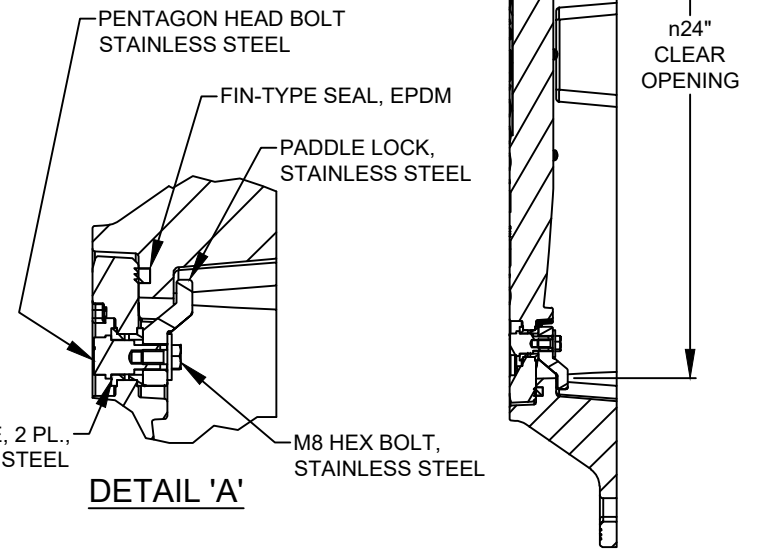
50,000 lbs. LOAD
 RATING, H-25



FRAME HEIGHT 4"
 COVER THICKNESS 1"

MOUNTING FOR FLOW
 MONITORING AND LEAK
 DETECTION DEVICES



NOTE: THERE ARE 2 PADDLE
 LOCK ASSEMBLIES, 180° APART,
 PER BELOW DETAIL 'A'



DETAIL 'A'

SECTION 'A-A'

FRAME PART NUMBER: 367-5705
 LID PART NUMBER: 8960

COMPOSITE LOCKING RING AND COVER N.T.S.			FAYETTEVILLE PUBLIC WORKS COMMISSION FAYETTEVILLE, N.C.			NO.	DATE	REVISION
SHEET NO. 1 OF 1	DWG. NO.	S.22	DWG. BY: FAYPWC					
	DATE:	JAN. 01, 2025	APPROVED BY: K.A.H.					
			WATER RESOURCES ENGINEERING DEPARTMENT					