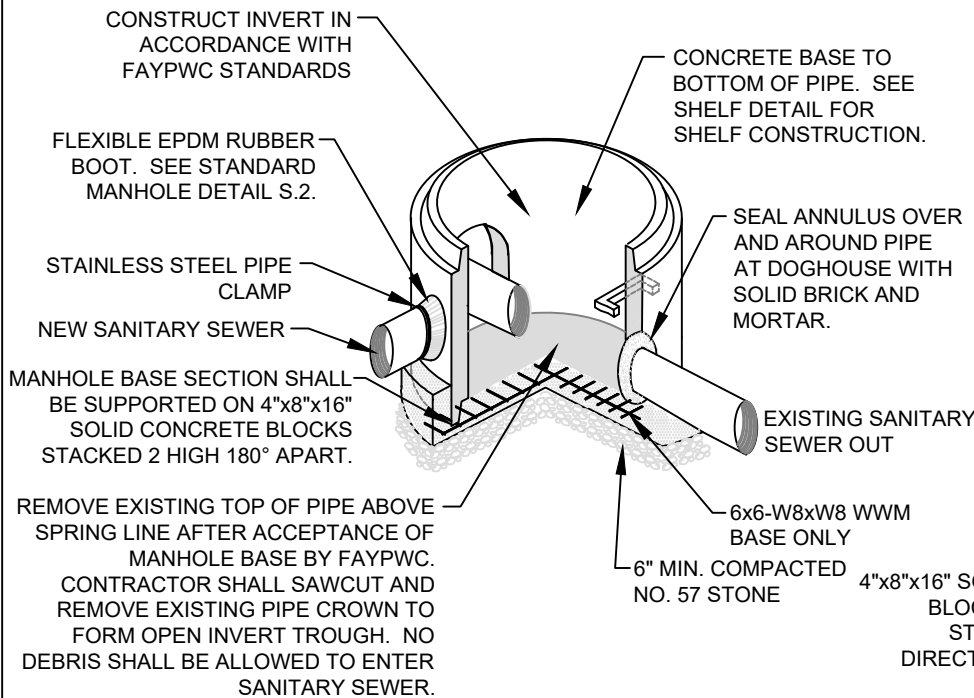
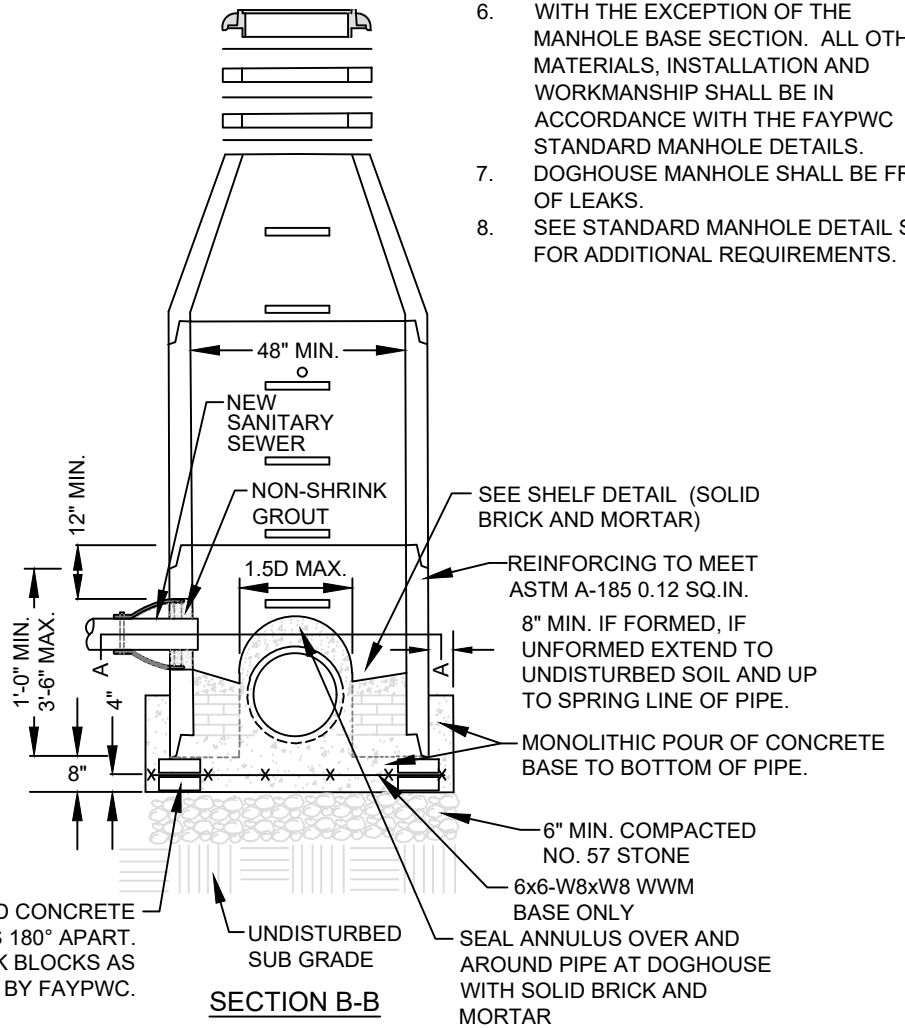


**SECTION A-A**



**NOTES:**

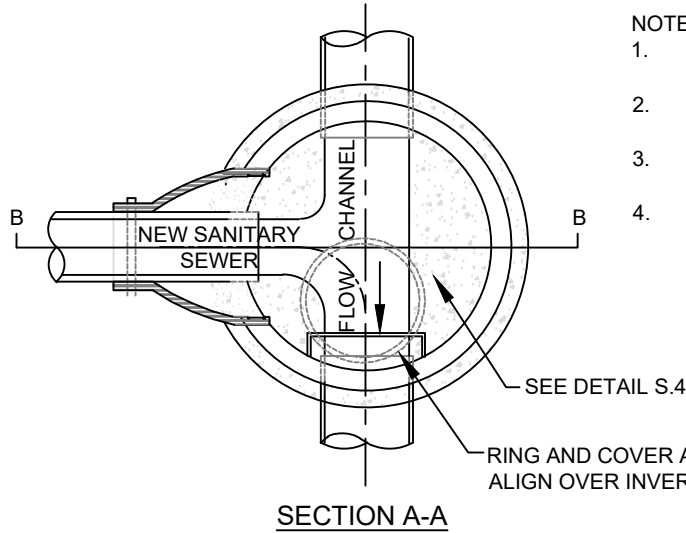
1. MANHOLE MEETS ALL REQUIREMENTS OF ASTM C478.
2. CONCRETE IS MINIMUM 4,000PSI COMPRESSIVE STRENGTH.
3. MATERIAL USED TO SEAL AROUND PIPE SHALL BE NON-SHRINK GROUT.
4. MANHOLE SHALL BE CONSTRUCTED OF PRECAST CONCRETE. FIBERGLASS MANHOLE IS NOT ACCEPTABLE.
5. A DROP STRUCTURE SHALL BE PLACED WHERE PIPE VERTICAL SEPARATION BETWEEN INVERTS EXCEEDS 2.50'. USE 5' DIAMETER MANHOLES WHEN DROP STRUCTURES ARE NEEDED.
6. WITH THE EXCEPTION OF THE MANHOLE BASE SECTION. ALL OTHER MATERIALS, INSTALLATION AND WORKMANSHIP SHALL BE IN ACCORDANCE WITH THE FAYPWC STANDARD MANHOLE DETAILS.
7. DOGHOUSE MANHOLE SHALL BE FREE OF LEAKS.
8. SEE STANDARD MANHOLE DETAIL S.2 FOR ADDITIONAL REQUIREMENTS.



DOGHOUSE MANHOLE (MAINS 15" OR LESS) N.T.S.			FAYETTEVILLE PUBLIC WORKS COMMISSION FAYETTEVILLE, N.C.		NO.	DATE	REVISION
SHEET NO. 1 OF 2	DWG. NO.	S.3	DWG. BY:	FAYPWC			
	DATE:	JAN. 01, 2025	APPROVED BY:	K.A.H.	2	07/16	ADDED SHEET 2
WATER RESOURCES ENGINEERING DEPARTMENT				<b>PWC</b>			

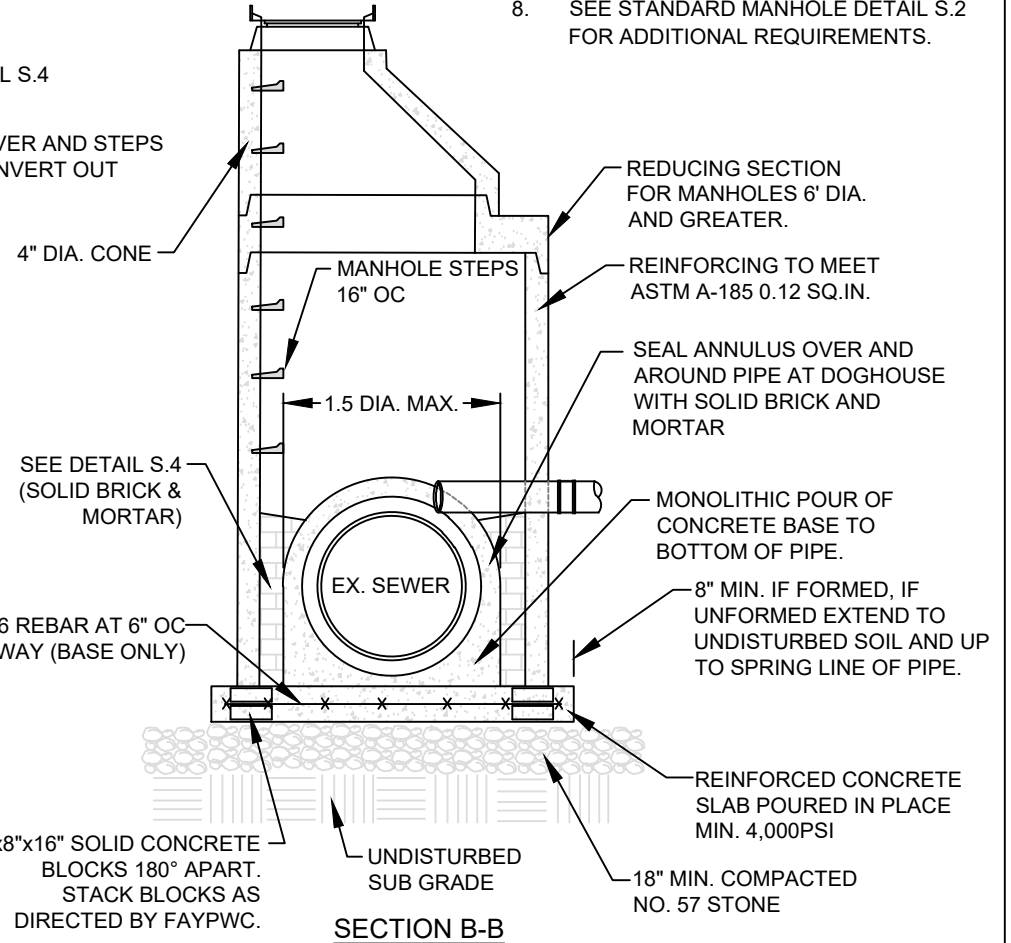
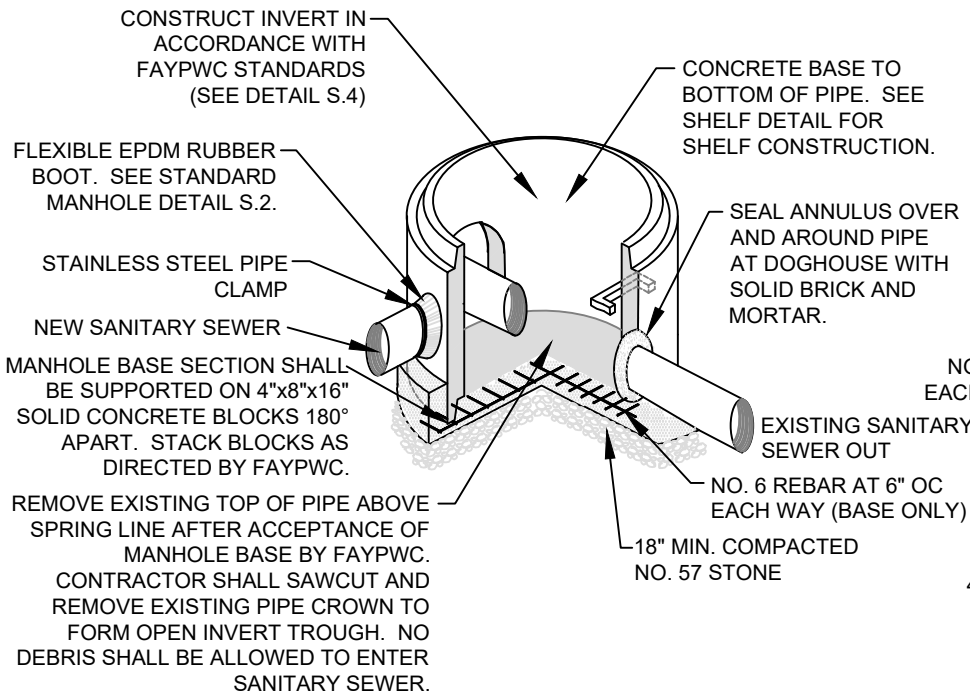
PIPE SIZE	MIN. DIA.
16" - 30"	6'-0"
OVER 30"	8'-0"

THE ABOVE CHART REFERS TO THE MINIMUM REQUIREMENTS ACCEPTED BY FAYPWC. THE MANHOLE DIAMETER MAY INCREASE BASED ON PROJECT SPECIFICATIONS.



NOTES:

1. MANHOLE MEETS ALL REQUIREMENTS OF ASTM C478.
2. CONCRETE IS MINIMUM 4,000PSI COMPRESSIVE STRENGTH.
3. MATERIAL USED TO SEAL AROUND PIPE SHALL BE NON-SHRINK GROUT.
4. MANHOLE SHALL BE CONSTRUCTED OF PRECAST CONCRETE. FIBERGLASS MANHOLE IS NOT ACCEPTABLE.
5. A DROP STRUCTURE SHALL BE PLACED WHERE PIPE VERTICAL SEPARATION BETWEEN INVERTS EXCEEDS 2.50'.
6. WITH THE EXCEPTION OF THE MANHOLE BASE SECTION, ALL OTHER MATERIALS, INSTALLATION AND WORKMANSHIP SHALL BE IN ACCORDANCE WITH THE FAYPWC STANDARD MANHOLE DETAILS.
7. DOGHOUSE MANHOLE SHALL BE FREE OF LEAKS.
8. SEE STANDARD MANHOLE DETAIL S.2 FOR ADDITIONAL REQUIREMENTS.



DOGHOUSE MANHOLE (MANS 16" OR LARGER) N.T.S.			FAYETTEVILLE PUBLIC WORKS COMMISSION FAYETTEVILLE, N.C.			NO.	DATE	REVISION
SHEET NO. 2 OF 2	DWG. NO.	S.3	DWG. BY:	FAYPWC		1	11/25/08	MADE CHANGES TO NOTES
	DATE:	JAN. 01, 2025	APPROVED BY:	K.A.H.		2	07/16	ADDED SHEET 2
						3	01/01/19	ADDED MH CHART
			WATER RESOURCES ENGINEERING DEPARTMENT					