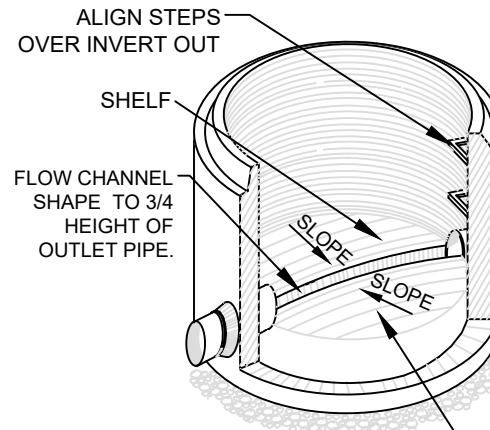


PIPE SLIDE DETAIL
N.T.S.



SLOPE TOP OF CONCRETE SHELF 1:12 MIN./2:12 MAX. TOWARD TROUGH.

SHELF DETAIL
N.T.S.

NOTES:

1. PIPE SLIDE REQUIRED WHERE VERTICAL SEPARATION BETWEEN PIPE INVERTS IS LESS THAN 2.5'. FOR LATERAL INVERTS AT OR WITHIN FOUR (4) INCHES OF THE SHELF, CONSTRUCT BENCH AND INVERT AS DIRECTED BY THE FAYPWC PROJECT COORDINATOR.
2. INTERIOR DROP STRUCTURE REQUIRED WHERE VERTICAL SEPARATION BETWEEN INVERTS EQUALS OR EXCEEDS 2.50'. FOR INTERIOR DROP STRUCTURE SEE FAYPWC DETAIL S.5.
3. VERIFY SLIDE INSTALLATION WITH PROJECT COORDINATOR PRIOR TO CONSTRUCTION.
4. MANHOLE AND CONNECTIONS SHALL BE IN ACCORDANCE WITH FAYPWC REQUIREMENTS.
5. BRICK USED FOR INVERT AND SHELF CONSTRUCTION SHALL BE NCDOT STANDARD CONCRETE BRICK.
6. MANHOLES GREATER THAN 12' IN DEPTH SHALL HAVE MINIMUM 6" EXTENDED BASE.
7. THE MINIMUM SLOPE ACROSS THE INVERT OF THE MANHOLE SHALL BE 1% UNLESS OTHERWISE APPROVED BY FAYPWC.
8. DROP AND/OR SLIDE REQUIREMENTS SHALL APPLY TO ALL LATERALS ENTERING MANHOLES AS OUTLINED IN NOTES 1, 2, AND 3. NO MORE THAN 4, FOUR INCH LATERALS OR 3, SIX INCH LATERALS SHALL ENTER A 4' DIAMETER TERMINAL MANHOLE. NO MORE THAN 2 LATERALS (REGARDLESS OF SIZE) SHALL ENTER ALL OTHER 4' DIAMETER MANHOLES. ALL LATERALS SHALL HAVE AN INDIVIDUAL TROUGH. 5' DIAMETER MANHOLES SHALL BE USED IF THE ABOVE CONDITIONS ARE NOT MET. THE INVERT OF THE LATERAL SHALL BE A MINIMUM OF 1" ABOVE THE SHELF.
9. NO MORE THAN 5 LATERALS SHALL ENTER A 5' DIAMETER TERMINAL MANHOLE.
10. USE OF TEE-WYES ON LATERALS IS NOT ALLOWED.

PIPE SLIDE AND SHELF DETAILS
N.T.S.

FAYETTEVILLE
PUBLIC WORKS COMMISSION
FAYETTEVILLE, N.C.



NO.	DATE	REVISION
1	01/05	ADDED NOTE 8
2	02/07	REVISED NOTE 8, SLIDE DETAIL, ADDED NOTES 10, 11, 12
3	01/18	DELETED MORTAR SLIDE, REVISED NOTES

SHEET NO. 1 OF 1	DWG. NO. S.4	DWG. BY: FAYPWC
	DATE: JAN. 01, 2025	APPROVED BY: K.A.H.

WATER RESOURCES
ENGINEERING DEPARTMENT