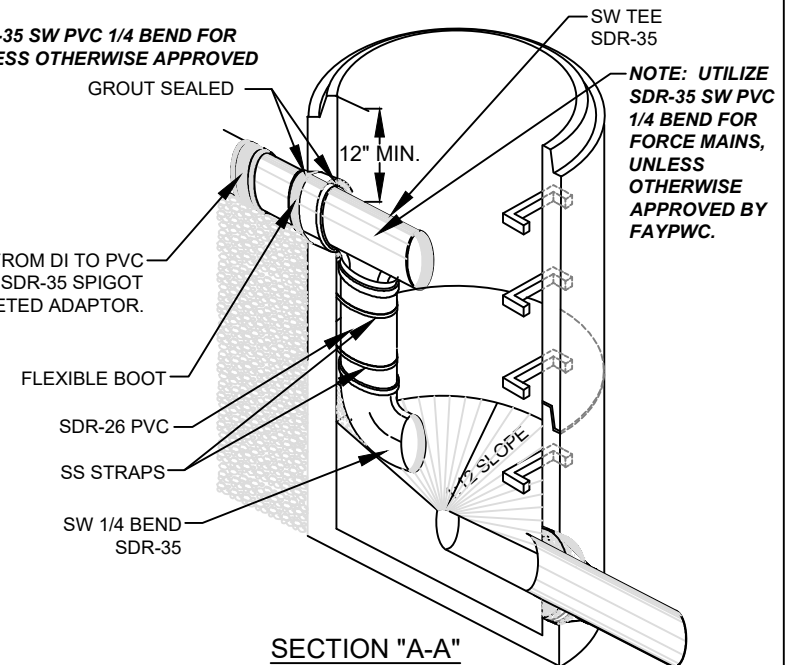
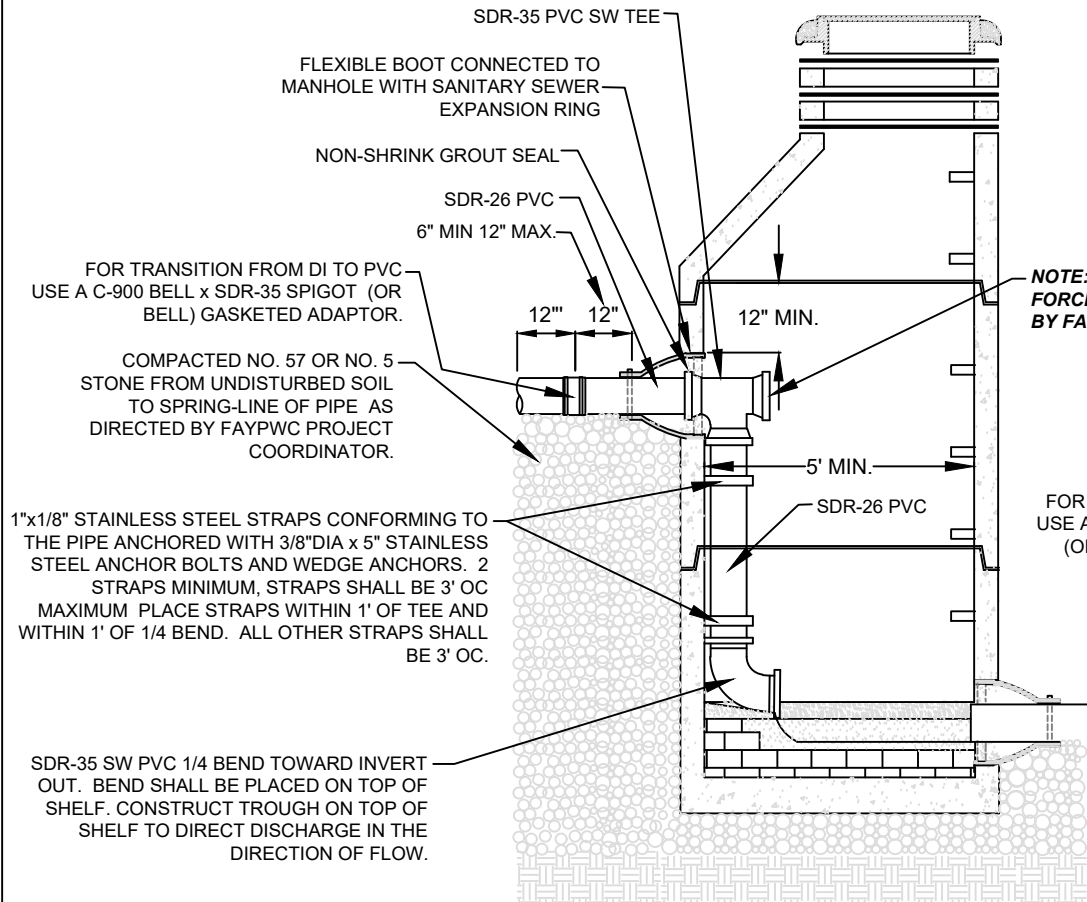


NOTES:

1. MANHOLE SHALL BE IN ACCORDANCE WITH FAYPWC STANDARDS, SEE MANHOLE DETAIL FOR ADDITIONAL INFORMATION.
2. ALL PVC FITTINGS FOR DROP STRUCTURE SHALL BE SDR-35 PVC WITH SOLVENT WELD JOINTS.
3. MANHOLES GREATER THAN 12' IN DEPTH SHALL HAVE MINIMUM 6" EXTENDED BASE.
4. DROP STRUCTURE SHALL BE PLACED WHERE SEWER MAIN OR LATERAL VERTICAL DROP BETWEEN INVERTS EQUALS OR EXCEEDS 2.50'. SEE PIPE SLIDE DETAILS FOR DROPS LESS THAN 2.50' VERTICAL SEPARATION.
5. DROP STRUCTURE MANHOLE SHALL BE A MINIMUM OF 5' DIAMETER. DROP STRUCTURE SHALL BE INSTALLED AGAINST WALL OF MANHOLE AS SHOWN. IF THE GRADE DOES NOT ALLOW, THEN INSTALL AS DIRECTED BY FAYPWC.
6. 5' DIA. MANHOLES REQUIRED FOR ALL DROPS 6" AND GREATER IN DIAMETER, AND WHEN 3 OR MORE 4" LATERALS ENTER MANHOLES WITH 4" INTERIOR DROPS. NO MORE THAN FOUR 4" INTERIOR DROPS ARE ALLOWED IN A 5' MANHOLE.
7. FLEXIBLE BOOT SHALL BE CONNECTED TO MANHOLE WITH STAINLESS STEEL EXPANSION RING. FLEXIBLE BOOT CONNECTORS SHALL CONFORM TO ASTM C-923 SPEC.
8. CONNECTIONS TO EXISTING MANHOLES SHALL HAVE CORE AND "BOOT" ONLY UNLESS APPROVED OTHERWISE BY FAYPWC PROJECT COORDINATOR.
9. ALL MANHOLES SHALL BE VACUUM TESTED IN ACCORDANCE WITH FAYPWC STANDARDS.



<p>INTERIOR DROP STRUCTURE SEWER MAINS AND LATERALS</p>			<p>FAYETTEVILLE PUBLIC WORKS COMMISSION FAYETTEVILLE, N.C.</p>			NO.	DATE	REVISION
						4	11/08	REVISED FITTING MATERIAL
SHEET NO. 1 OF 1	DWG. NO.	S.5	DWG. BY:	FAYPWC		5	07/12	REVISED NOTES 5, 6, AND HUB ON INVERT
	DATE:	JAN. 01, 2025	APPROVED BY:	K.A.H.		6	07/14	ADDED FORCE MAIN NOTE
<p>WATER RESOURCES ENGINEERING DEPARTMENT</p>								