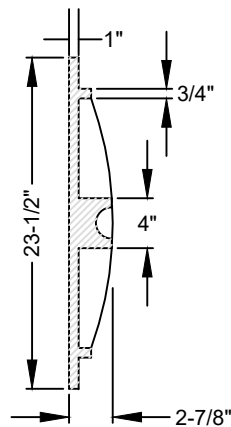
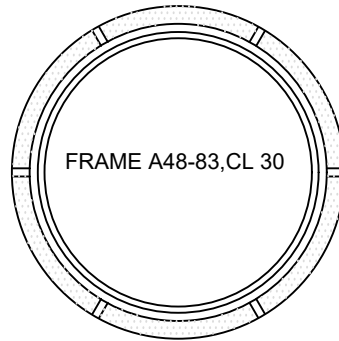


COVER BACK



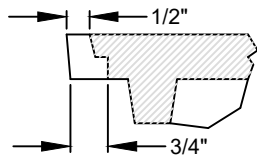
COVER SECTION



FRAME PLAN

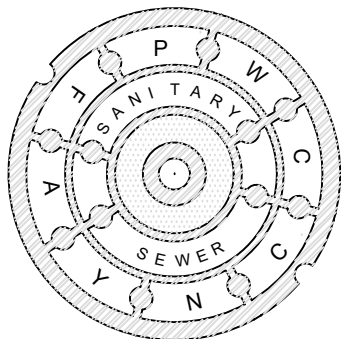
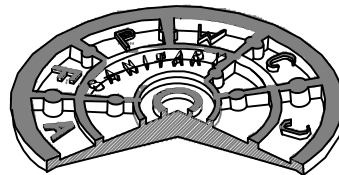
NOTES:

1. DETAIL TO BE USED IN PAVED AREAS ONLY. ALL OTHER MANHOLES SHALL BE IN ACCORDANCE WITH DETAIL S.6, UNLESS OTHERWISE APPROVED.
2. MANHOLE FRAME AND COVER SHALL BE MADE OF GRAY CAST IRON CONFORMING TO ASTM SPEC. A48-83 CL 30/35 RESPECTIVELY, MANUFACTURED BY SAME MANUFACTURER. ALL CASTINGS SHALL CONFORM TO THE SHAPE AND DIMENSIONS SHOWN. THEY SHALL BE CLEAN AND PERFECT, WITHOUT BLOW OR SAND HOLES OR DEFECTS OF ANY KIND, TENDING TO IMPAIR THEIR STRENGTH. NO PLUGGING OR STOPPING OF DEFECTIVE HOLES WILL BE PERMITTED.
3. CASTINGS SHALL BE UNPAINTED AND SHALL HAVE THE LETTERS "PWC-FAY-NC" AND "SANITARY SEWER" CAST INTO COVER. LETTERS SHALL BE RAISED AND CLEARLY VISIBLE.
4. MANHOLE RING AND COVER SHALL WITHSTAND H-20 VEHICULAR TRAFFIC. ROCKING COVERS SHALL NOT BE ACCEPTABLE.
5. MINIMUM AVERAGE WEIGHT: PLUS OR MINUS 5% RING 175LBS., COVER 135LBS, UNIT 310LBS.
6. PERFORATED COVERS WILL NOT BE ALLOWED.



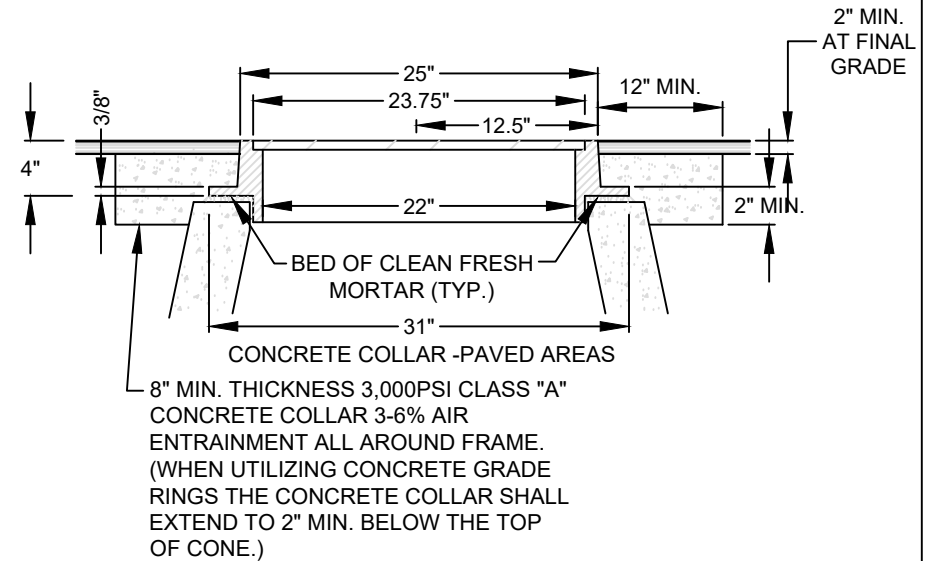
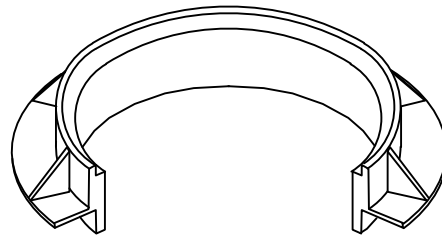
PICK SLOT DETAIL

COVER



COVER A48-83, CL 35
COVER FACE

FRAME



STANDARD TRAFFIC AREA MANHOLE RING AND COVER
N.T.S.

FAYETTEVILLE PUBLIC WORKS COMMISSION
FAYETTEVILLE, N.C.



NO.	DATE	REVISION
1	01/05	CHANGED NON TRAFFIC DETAIL
2	07/06	ADDED NOTE ON CONCRETE COLLAR
3	02/07	REMOVED NON TRAFFIC AREA AND REVISED NOTES
4	07/08	REVISED ASPHALT THICKNESS

SHEET NO. 1 OF 1	DWG. NO. S.7	DWG. BY: FAYPWC
	DATE: JAN. 01, 2025	APPROVED BY: K.A.H.

WATER RESOURCES ENGINEERING DEPARTMENT