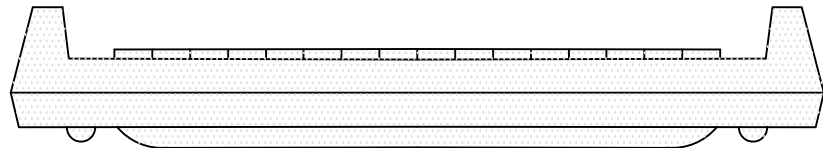
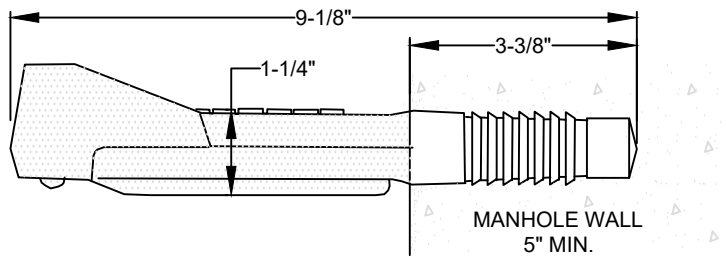


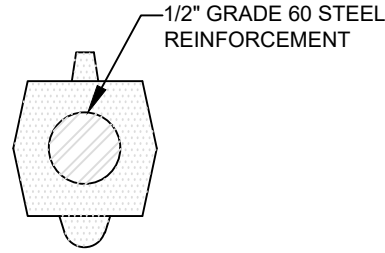
PLAN VIEW



FRONT VIEW



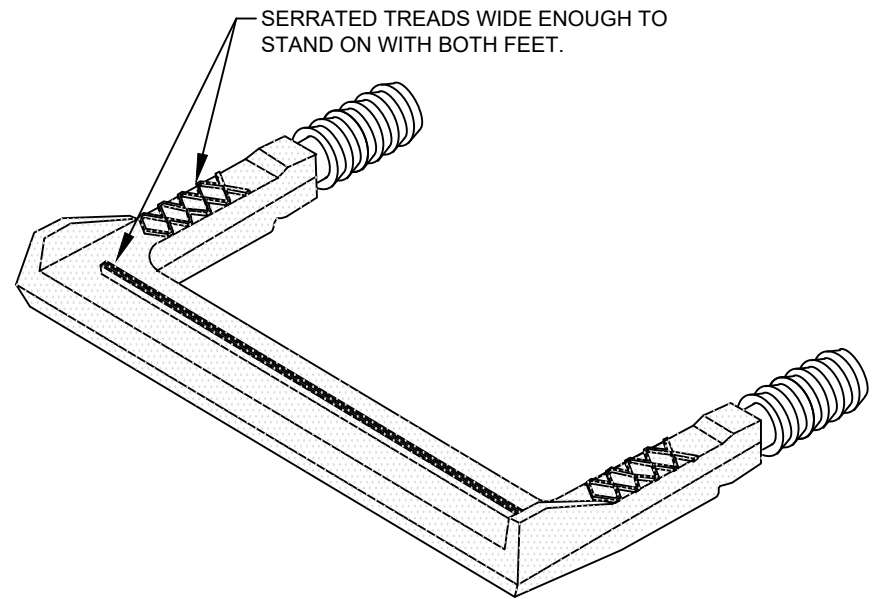
SIDE VIEW



SECTION "A-A"

NOTES:

1. COPOLYMER POLYPROPYLENE PLASTIC STEP SHALL BE PLACED 16" OC IN ALL STRUCTURES 5' DEPTH OR GREATER.
2. STEPS SHALL BE INSTALLED BY MANUFACTURER AND SHALL BE ALIGNED OVER STRUCTURE INVERT OUT.
3. DIMENSIONS SHOWN ARE TO CONVEY THE DESIRED SIZE OF THE STEP AND CONSTRUCTION MAY BE ACCEPTABLE PROVIDED MATERIAL SUBMITTAL IS APPROVED BY FAYPWC.
4. MATERIALS OF CONSTRUCTION AND METHOD OF INSTALLATION SHALL BE IN ACCORDANCE WITH OSHA STANDARDS AND ASTM C-478.



ISOMETRIC VIEW OF STEP

STRUCTURE STEP N.T.S.			FAYETTEVILLE PUBLIC WORKS COMMISSION FAYETTEVILLE, N.C.		PWC	NO.	DATE	REVISION
SHEET NO. 1 OF 1	DWG. NO.	S.8	DWG. BY: FAYPWC					
	DATE:	JAN. 01, 2025	APPROVED BY: K.A.H.					
			WATER RESOURCES ENGINEERING DEPARTMENT					