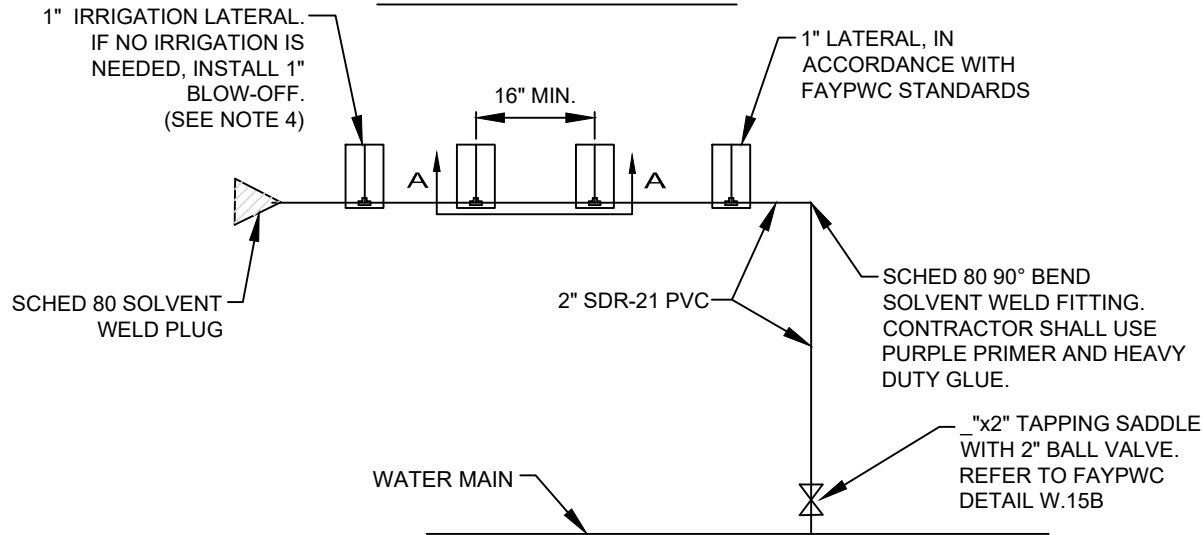
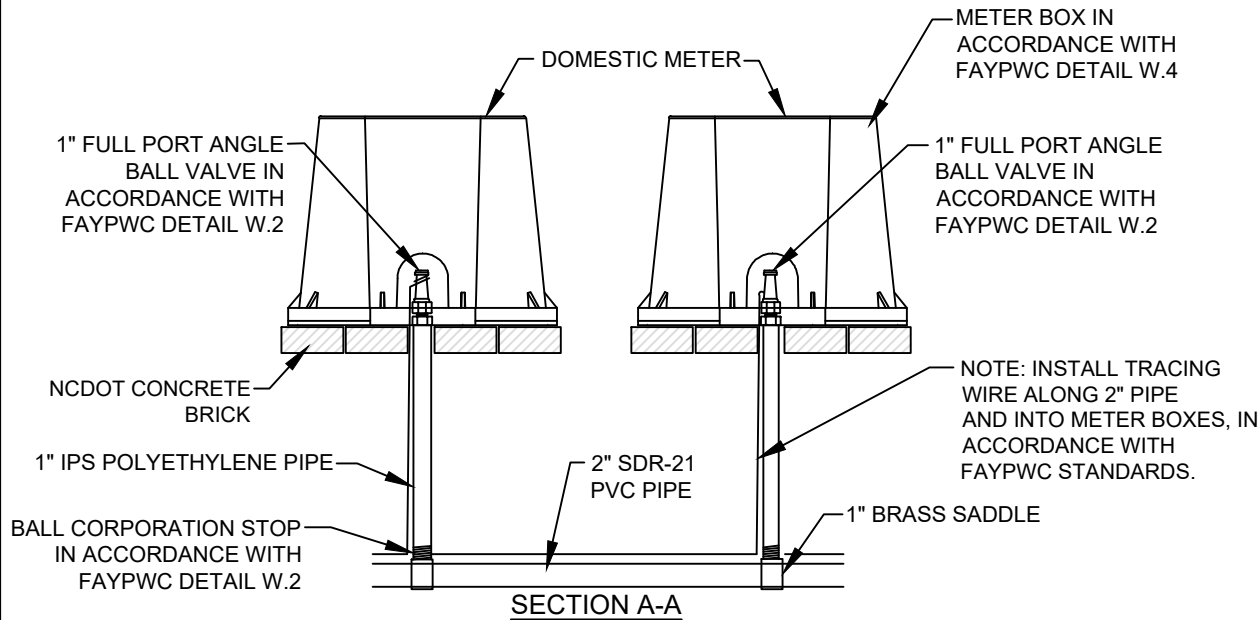


FOR 20 SERVICES OR LESS



NOTES:

1. ALL MATERIALS TO BE APPROVED BY FAYPWC.
2. SERVICE LATERAL SIZE 1" IPS POLYETHYLENE UNLESS OTHERWISE SPECIFIED.
3. ALL FITTINGS AND MATERIALS FROM 2" WATER LINE TO AND INTO METER BOX SHALL BE IN ACCORDANCE WITH FAYPWC DETAIL W.2.
4. THE 1" "BLOW-OFF" SHALL BE A STANDARD 1" TAP UP TO AND INCLUDING THE ANGLE BALL VALVE. NO OTHER FITTINGS ARE REQUIRED (IE: SPACER, TAILPIECE). THE METER BOX SHALL BE SET IN ACCORDANCE WITH FAYPWC DETAIL W.2.
5. ALL WATER MAINS AND LATERALS SHALL PASS HYDROSTATIC (200PSI) AND STERILIZATION TESTS.
6. CENTER OF METER BOXES SHALL BE LOCATED A MINIMUM OF 5 FEET FROM THE BUILDING, UNLESS OTHERWISE APPROVED BY FAYPWC.
7. METER BOXES LOCATED IN PAVED AREAS SHALL BE IN ACCORDANCE WITH FAYPWC DETAIL W.4B.
8. LATERALS SHALL NOT BE BACKFILLED UNTIL INSPECTED AND APPROVED BY FAYPWC PROJECT COORDINATOR.
9. SHOULD IT BE NECESSARY TO CRIMP THE WATER SERVICE LATERAL, A FULL CIRCLE REPAIR CLAMP SHALL BE PLACED ON THE CRIMPED AREA.
10. SHOULD THE LENGTH OF THE LINE EXCEED 150 FEET, OR AS APPROVED BY FAYPWC, THE LINE SHALL BE LOOPED.
11. SHOULD THERE BE MORE THAN 20 SERVICES, THE 2" MAIN SHALL BE LOOPED (IE: NO PLUG). IN SUCH INSTANCES, NO 1" BLOW-OFF IS REQUIRED.



WATER SERVICE DETAILS FOR MULTI-UNIT BUILDINGS N.T.S.			FAYETTEVILLE PUBLIC WORKS COMMISSION FAYETTEVILLE, N.C.				NO.	DATE	REVISION
							1	07/16	REVISED TITLE, NOTES
SHEET NO. 1 OF 1	DWG. NO.	W.23	DWG. BY: FAYPWC		WATER RESOURCES ENGINEERING DEPARTMENT		2	07/17	REVISED NOTES
	DATE:	JAN. 01, 2025	APPROVED BY: K.A.H.						