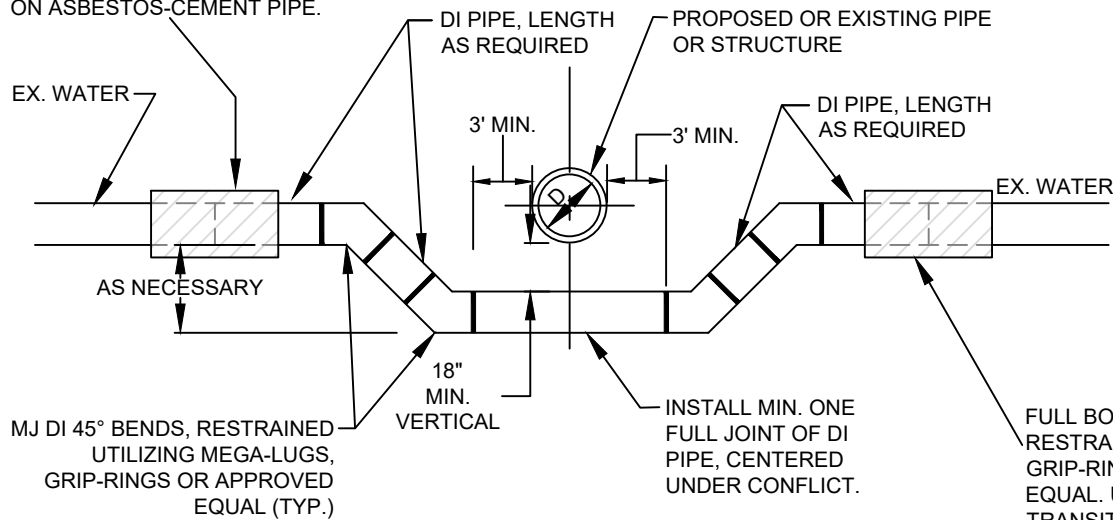


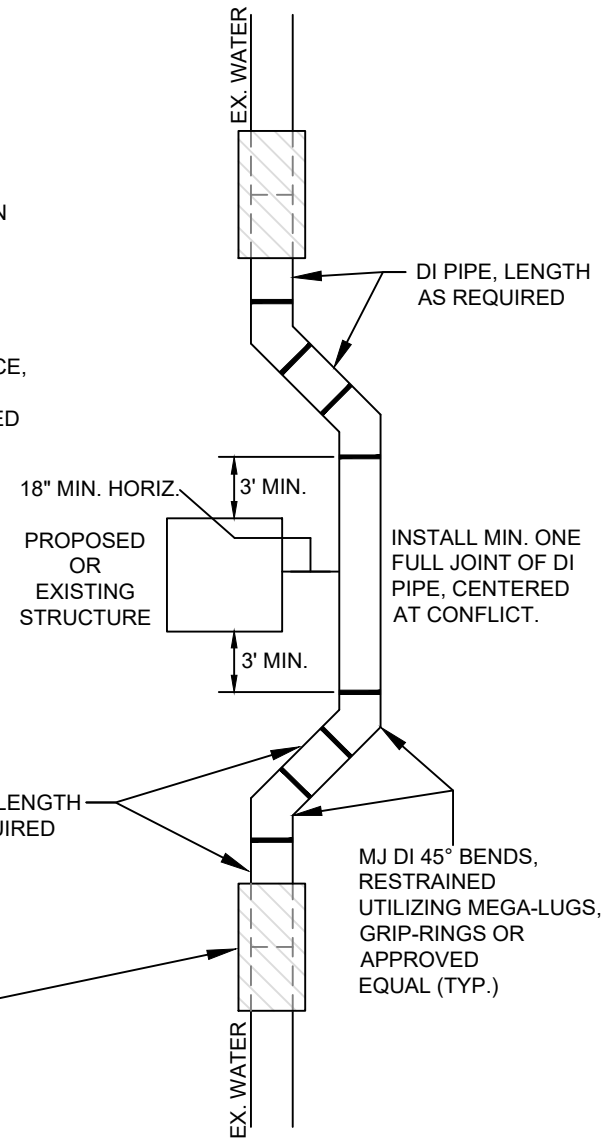
NOTES:

1. ALL PIPE AND FITTINGS SHALL BE APPROVED BY FAYPWC.
2. CONTRACTOR TO COORDINATE NECESSARY OUTAGES WITH FAYPWC AND AFFECTED CUSTOMERS. MINIMUM 48 HOUR NOTICE REQUIRED.
3. NEW WATER MAIN TO BE SWABBED WITH A CHLORINE SOLUTION AND FLUSHED PRIOR TO PLACING INTO SERVICE.
4. ALL NEW FITTINGS AND PIPE TO BE RESTRAINED UTILIZING MEGA-LUGS, GRIP-RINGS OR APPROVED EQUAL.
5. ALL PIPE AND FITTINGS TO BE DUCTILE IRON.
6. FAYPWC PROJECT COORDINATOR TO BE PRESENT DURING WORK.
7. BACKFILL AND COMPACT TO CITY OF FAYETTEVILLE OR NCDOT REQUIREMENTS.
8. PROVIDE STONE BEDDING (NO. 5 OR NO. 57 STONE) TO SUPPORT RELOCATED WATER MAIN AND/OR NEW STORM DRAIN, AS APPROVED BY FAYPWC PROJECT COORDINATOR.
9. MJ RESTRAINTS NOT ALLOWED ON PVC PIPE.
10. DIMENSIONS ARE GIVEN AS GENERAL GUIDANCE, EXACT DIMENSIONS ARE SUBJECT TO CHANGE BASED ON FIELD CONDITIONS AND AS DIRECTED BY FAYPWC.


FULL BODY MJ SLEEVE (12" MIN.), RESTRAINTS WITH MEGA-LUGS, GRIP-RINGS OR APPROVED EQUAL. USE APPROVED TRANSITION COUPLING (12" MIN.) ON ASBESTOS-CEMENT PIPE.



VERTICAL RELOCATION



HORIZONTAL RELOCATION

| PIPE RELOCATION DETAIL N.T.S. | | | FAYETTEVILLE PUBLIC WORKS COMMISSION FAYETTEVILLE, N.C. | | NO. | DATE | REVISION |
|----------------------------------|-----------------------|---------------------|--|--|-----|------|----------|
| SHEET NO. 1 OF 1 | DWG. NO.: W.26 | DWG. BY: FAYPWC |  WATER RESOURCES ENGINEERING DEPARTMENT | | | | |
| | DATE: JAN. 01, 2025 | APPROVED BY: K.A.H. | | | | | |