
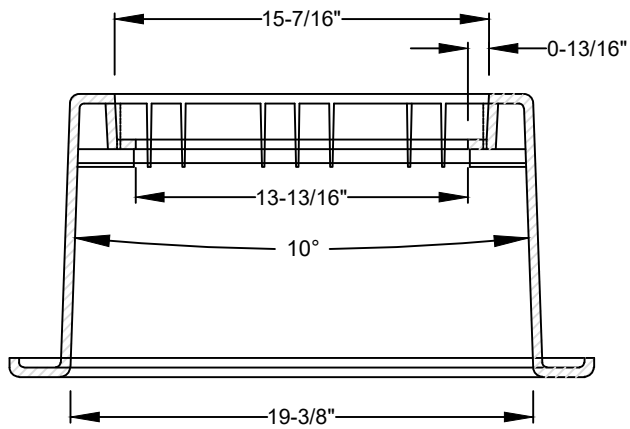
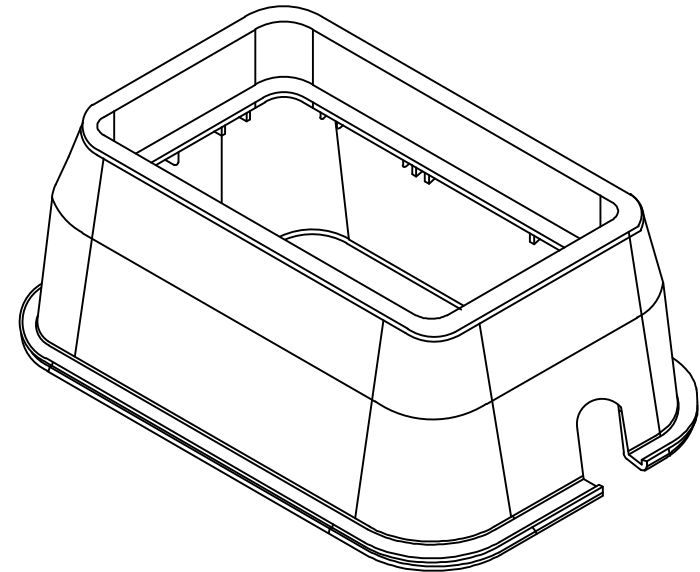
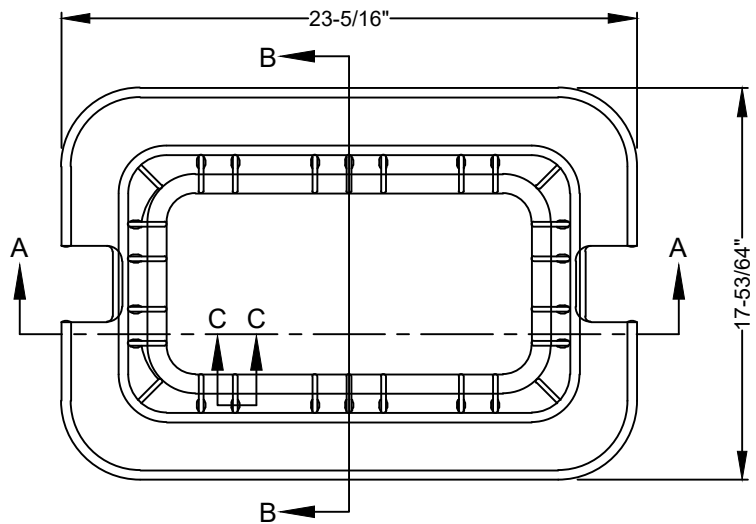
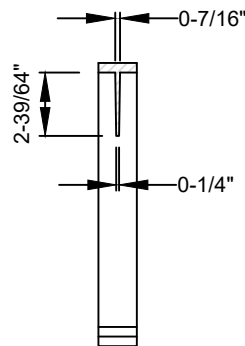


- NOTES:
1. ALL MATERIALS SHALL BE APPROVED BY FAYPWC.
 2. FOR 1" WATER LATERAL INSTALLATION SEE FAYPWC DETAIL W.2 OR W.24, AS APPLICABLE.
 3. COMPOSITE METER BOX TO BE USED IN PAVED AND/OR TRAFFIC AREAS.
 4. COMPOSITE METER BOX SHALL BE RATED FOR INCIDENTAL TRAFFIC.
 5. COMPOSITE BOX SHALL BE MB16 HD AS MANUFACTURED BY SOUTHEASTERN DISTRIBUTORS, INC., OR APPROVED EQUAL.

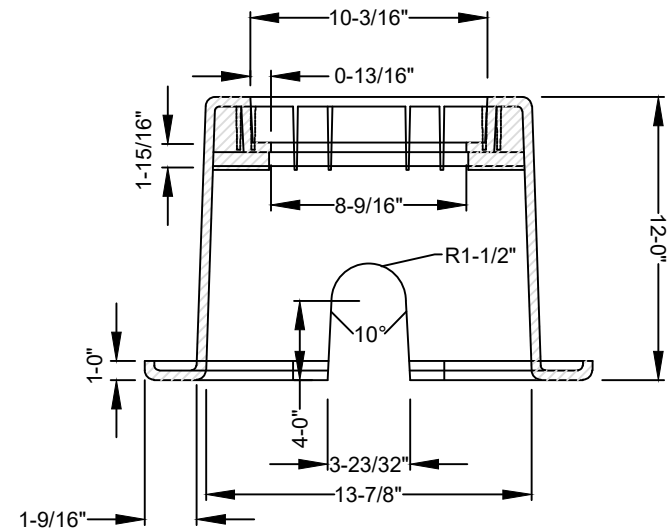
1-INCH COMPOSITE METER BOX & COVER N.T.S.			FAYETTEVILLE PUBLIC WORKS COMMISSION FAYETTEVILLE, N.C.			NO.	DATE	REVISION
SHEET NO. 1 OF 2	DWG. NO. W.4B	DWG. BY: FAYPWC	WATER RESOURCES DEPARTMENT			1	03/10	CHANGED BOX & LID DIMENSIONS
	DATE: JAN. 01, 2025	APPROVED BY: K.A.H.				2	12/15	REPLACED CI BOX w/COMPOSITE BOX



SECTION A-A



SECTION C-C
RIB DETAIL



SECTION B-B

1-INCH COMPOSITE METER BOX & COVER
N.T.S.

FAYETTEVILLE
PUBLIC WORKS COMMISSION
FAYETTEVILLE, N.C.



NO.	DATE	REVISION
1	12/15	REPLACED CI BOX WITH COMPOSITE BOX

SHEET NO. 2 OF 2	DWG. NO. W.4B	DWG. BY: FAYPWC
	DATE: JAN. 01, 2025	APPROVED BY: K.A.H.

WATER RESOURCES
DEPARTMENT