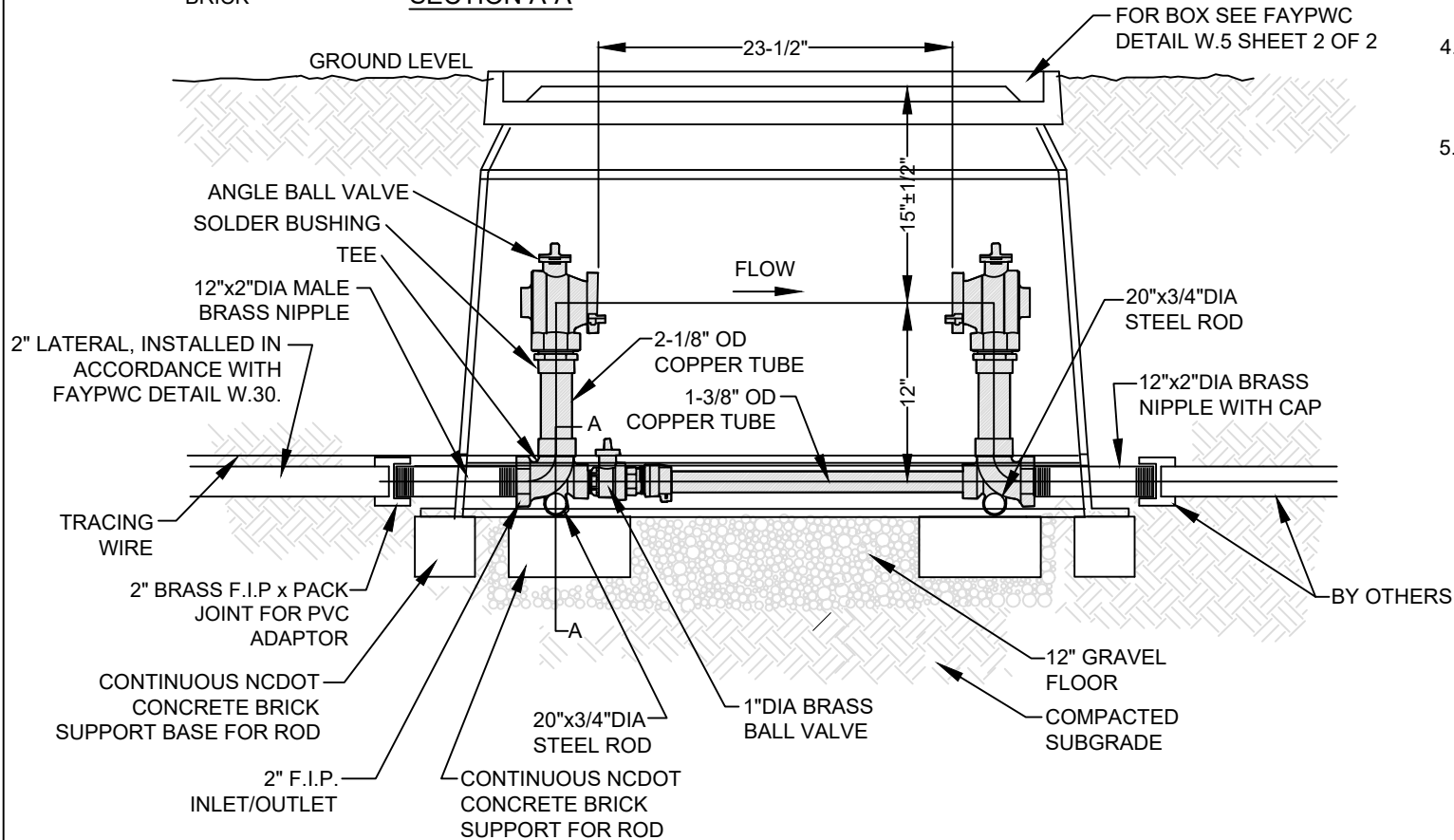


TO PROVIDE SUPPORT FOR TIGHTENING OF FITTINGS A 20"x3/4" DIAMETER STEEL ROD SHALL BE PLACED THRU SUPPORT BAR HOLE. ROD SHALL BE TIGHTENED TO "SUPPORT BAR HOLE" WITH STEEL NUTS AND WASHER. ROD SHALL BE PAINTED WITH 2 COATS BITUMINOUS PAINT, STAINLESS STEEL, OR GALVANIZED.

SECTION A-A



NOTES:

1. ALL MATERIALS SHALL BE APPROVED BY FAYPWC.
2. LOCATION OF BOX SHALL BE AS DETERMINED BY FAYPWC PROJECT COORDINATOR. IN NO CASE SHALL BOX BE INSTALLED CLOSER THAN 5' TO BUILDING.
3. LATERAL SHALL BE INSPECTED AND APPROVED BY FAYPWC PROJECT COORDINATOR PRIOR TO BACKFILL.
4. CONTRACTOR TO INSTALL TRACING WIRE INTO BOX. A MINIMUM 2' OF WIRE SHALL BE IN BOX.
5. FOR METER BOX SEE FAYPWC DETAIL W.5 SHEET 2 OF 2.

**2" COPPERSETTER WITH BY-PASS
23-1/2" METER SPACING**
N.T.S.

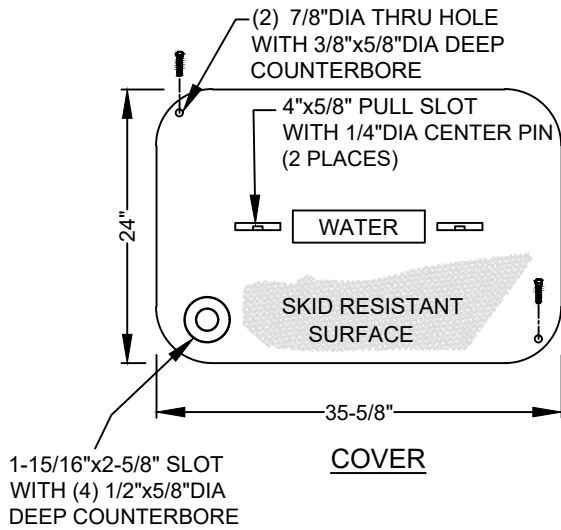
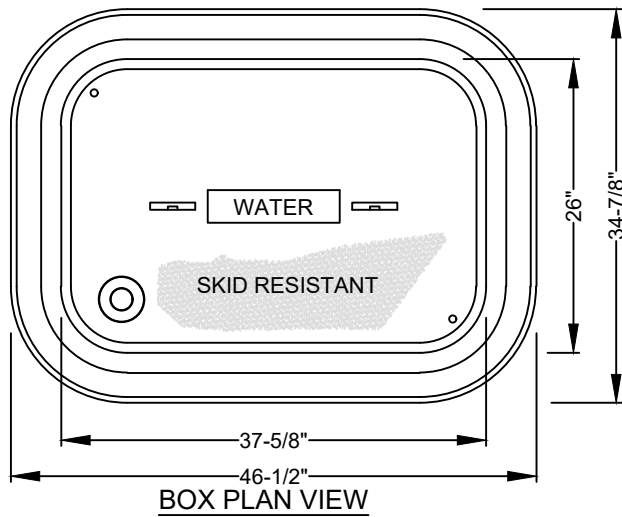
**FAYETTEVILLE
PUBLIC WORKS COMMISSION
FAYETTEVILLE, N.C.**



NO.	DATE	REVISION
1	07/13	REVISED, UPDATED NOTES
2	07/17	UPDATED NOTES

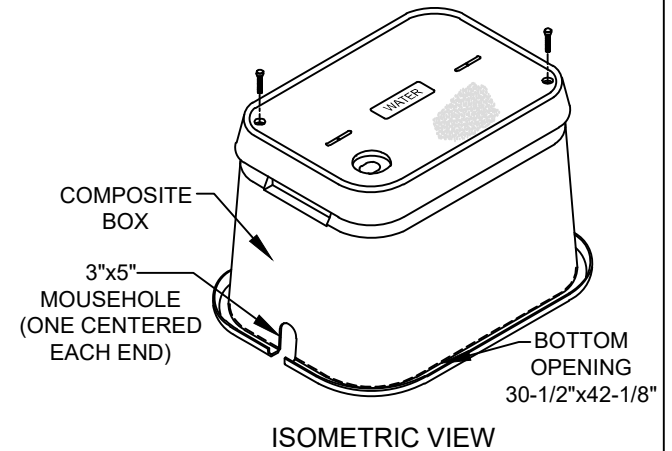
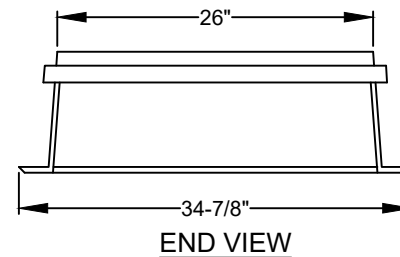
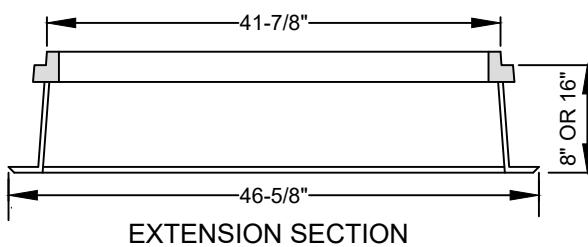
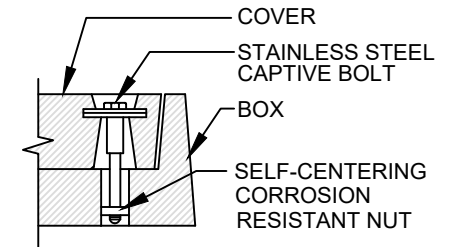
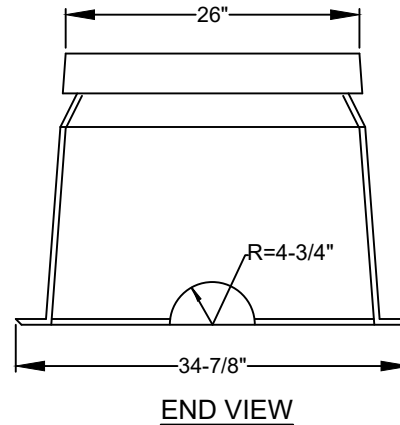
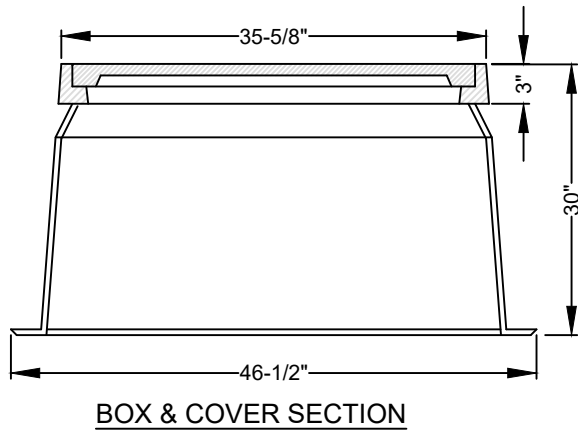
SHEET NO. 1 OF 2	DWG. NO. W.5	DWG. BY: FAYPWC
	DATE: JAN. 01, 2025	APPROVED BY: K.A.H.

**WATER RESOURCES
ENGINEERING DEPARTMENT**



NOTES:

1. ALL MATERIALS SHALL BE APPROVED BY FAYPWC. SEE FAYPWC DETAIL W.5 SHEET 1 OF 2 FOR ADDITIONAL INFORMATION.
2. METER BOX BASE SHALL BE FIBERGLASS. METER BOX LID SHALL BE COMBINED POLYMER CONCRETE AND FIBER REINFORCED POLYESTER.
3. METER BOX SHALL NOT BE LOCATED WHERE H-20 LOAD CAN IMPACT BOX OR COVER.
4. FOR 1-1/2" METER WITHOUT BYPASS SEE FAYPWC DETAIL W.29.



1-1/2" AND 2" BY-PASS METER BOX
N.T.S.

FAYETTEVILLE
PUBLIC WORKS COMMISSION
FAYETTEVILLE, N.C.



NO.	DATE	REVISION
1	12/15	REVISED LID

SHEET NO. 2 OF 2	DWG. NO. W.5	DWG. BY: FAYPWC
	DATE: JAN. 01, 2025	APPROVED BY: K.A.H.

WATER RESOURCES
ENGINEERING DEPARTMENT